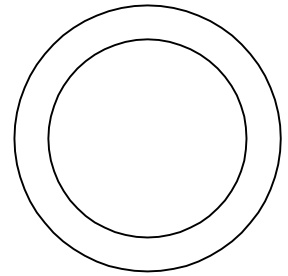
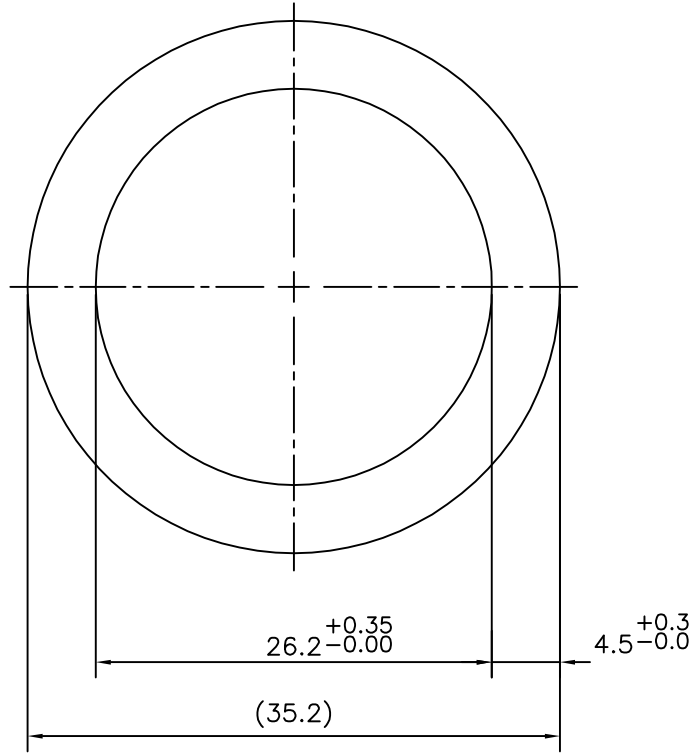


P-13426-1

13585



SCALE: - 1:1



SYMBOL OF QUALITY  
AN ISO 9001 COMPANY

**JINDAL ALUMINIUM LTD.**  
BANGALORE-560073 (INDIA)

	NAME	DATE
DRAWN	PARVESH	25-02-2014
CHECKED		
APPROVED	S.S.GARG	26-03-2014
SCALE		2:1
AREA mm <sup>2</sup>		434.011
PERIMETER mm.		110.584
WEIGHT kg/m		1.172
DRAWING No.	SECTION No.	
P-13426-1	-	
13585	13585	

1. ALL DIMENSIONS ARE IN mm.
2. ROUND OFF ALL SHARP CORNERS WITH 0.40 mm.
3. TOLERANCES WILL BE AS PER IS:2673-2002 , UNLESS OTHERWISE SPECIFIED

PARTY'S NAME	VISOKA ENGINEERING PVT. LTD., CHENNAI
PARTY'S DRAWING No.	MODIFIED OF SECTION No. 13202
ALLOY & TEMPER	HE9 WP
DESCRIPTION	ROUND TUBE