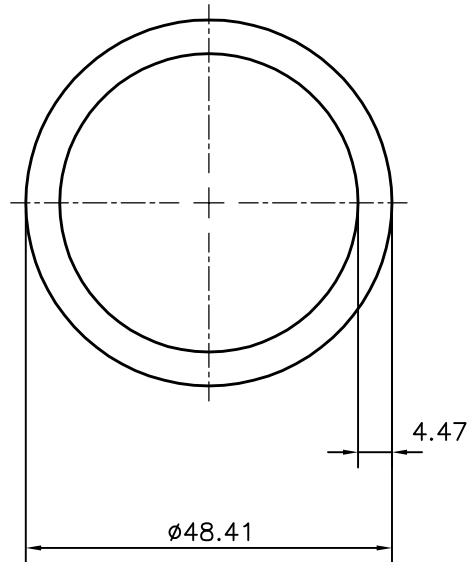


P-11619

S3238

13588



SYMBOL OF QUALITY
AN ISO 9001 COMPANY

JINDAL ALUMINIUM LTD.
BANGALORE-560073 (INDIA)

	NAME	DATE
DRAWN	PARVESH	27-03-2012
CHECKED		
APPROVED	S.S.GARG	31-03-2012
SCALE		1:1
AREA mm ²		617.046
PERIMETER mm.		152.085
WEIGHT kg/m		1.666
DRAWING No.	SECTION No.	
P-11619	-	
S3238	S3238	
13588	13588	

1. ALL DIMENSIONS ARE IN mm.
2. ROUND OFF ALL SHARP CORNERS WITH 0.40 mm.
3. TOLERANCES WILL BE AS PER IS:2673-2002, UNLESS OTHERWISE SPECIFIED

PARTY'S NAME	G.I. AUTO PVT. LTD., BANGALORE
PARTY'S DRAWING No.	AS PER SPECIFICATION
ALLOY & TEMPER	6061 T6
DESCRIPTION	ROUND TUBE