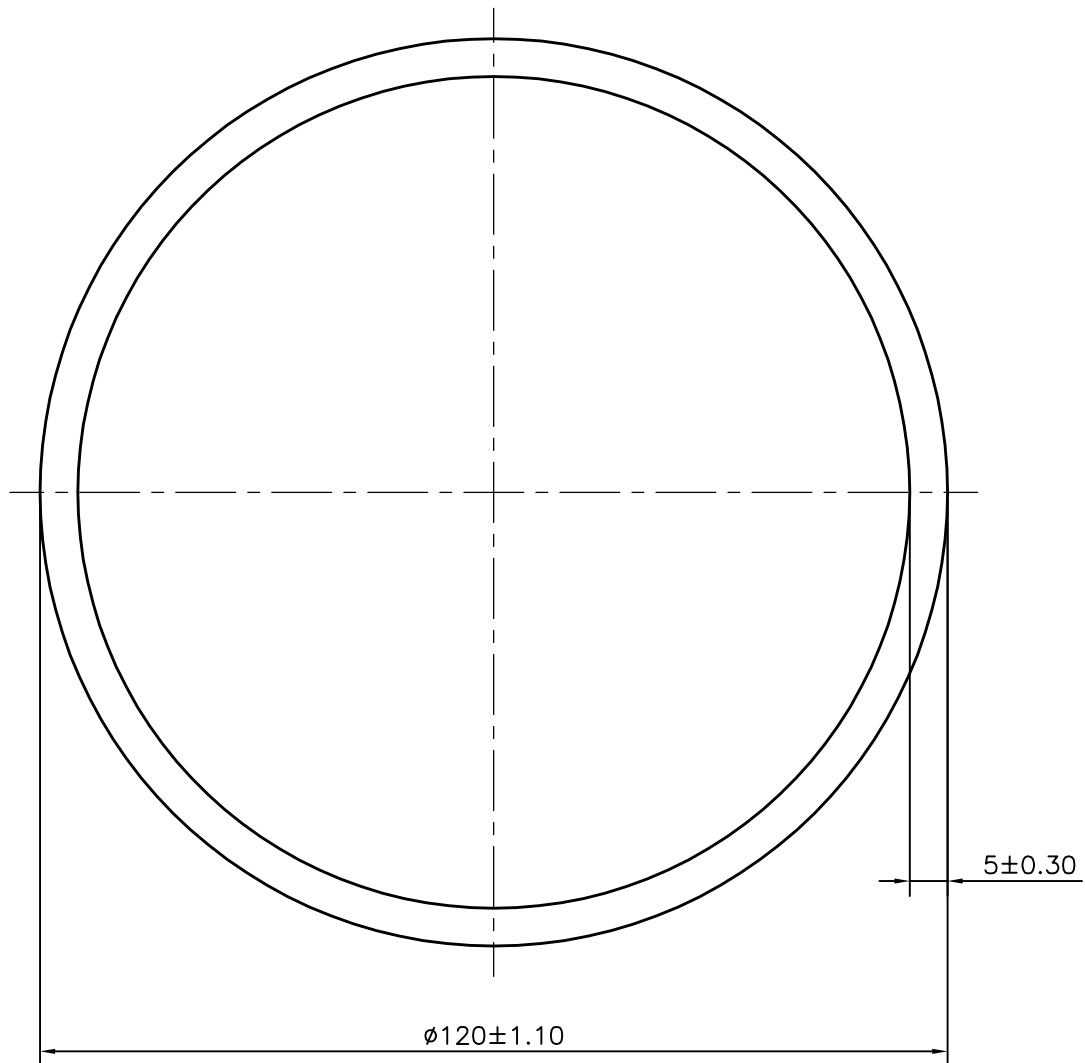


P-11118

S3055

13593



SYMBOL OF QUALITY
AN ISO 9001 COMPANY

JINDAL ALUMINIUM LTD.
BANGALORE-560073 (INDIA)

	NAME	DATE
DRAWN	PARVESH	23-07-2011
CHECKED		
APPROVED	S.S.GARG	21-09-2011
SCALE		1:1
AREA mm ²		1806.416
PERIMETER mm.		376.991
WEIGHT kg/m		4.877
DRAWING No.	SECTION No.	
P-11118	-	
S3055	S3055	
13593	13593	

1. ALL DIMENSIONS ARE IN mm.
2. ROUND OFF ALL SHARP CORNERS WITH 0.40 mm.
3. TOLERANCES WILL BE AS PER, BS:EN-755-9 UNLESS OTHERWISE SPECIFIED

PARTY'S NAME	AREVA T & D INDIA LTD., CHENNAI
PARTY'S DRAWING No.	AS PER SPECIFICATION
ALLOY & TEMPER	6060 T6
DESCRIPTION	ROUND TUBE