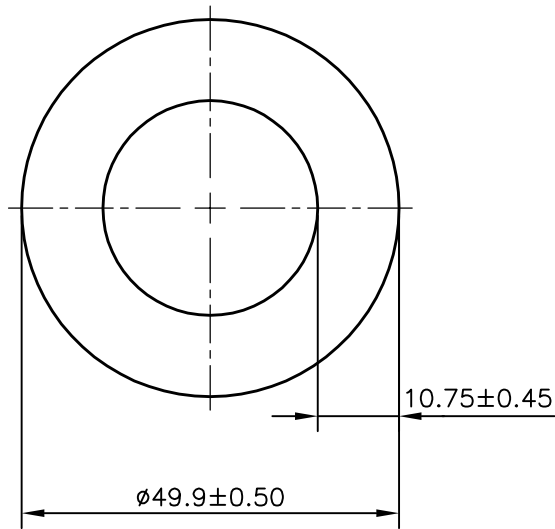



P-11889-1

S3397

13597



 SYMBOL OF QUALITY AN ISO 9001 COMPANY	JINDAL ALUMINIUM LTD. BANGALORE-560073 (INDIA)		NAME	DATE
		DRAWN	J.P.KAUSHIK	07-07-2012
1. ALL DIMENSIONS ARE IN mm. 2. ROUND OFF ALL SHARP CORNERS WITH 0.40 mm. 3. TOLERANCES WILL BE AS PER IS:2673-2002 UNLESS OTHERWISE SPECIFIED		CHECKED		
		APPROVED	S.S.GARG	11-07-2012
PARTY'S NAME GLOBE COMPONENTS PVT. LTD., CHENNAI		SCALE		1:1
		AREA mm ²		1322.179
PARTY'S DRAWING No. AS PER SPECIFICATION		PERIMETER mm.		156.765
		WEIGHT kg/m		3.57
ALLOY & TEMPER 6063 T6		DRAWING No.	SECTION No.	
		P-11889-1	-	
DESCRIPTION ROUND TUBE		S3397	S3397	
		13597	13597	