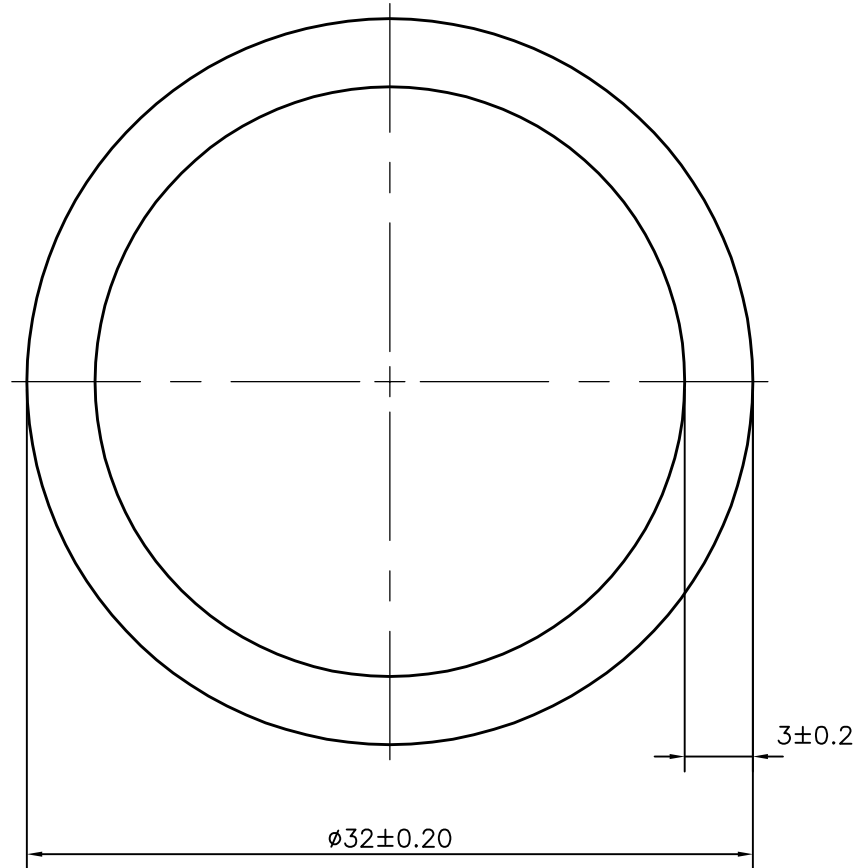
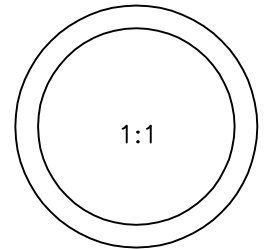


P-13326-1

S4047

13598



SYMBOL OF QUALITY
AN ISO 9001 COMPANY

JINDAL ALUMINIUM LTD.
BANGALORE-560073 (INDIA)

	NAME	DATE
DRAWN	SRIVATHSA	04-01-2014
CHECKED		
APPROVED	S.S.GARG	01-03-2014
SCALE		3:1
AREA mm ²		273.319
PERIMETER mm.		100.531
WEIGHT kg/m		0.738
DRAWING No.		SECTION No.
P-13326-1		-
S4047		S4047
13598		13598

1. ALL DIMENSIONS ARE IN mm.
2. ROUND OFF ALL SHARP CORNERS WITH 0.40 mm.
3. TOLERANCES WILL BE AS PER IS:2673-2002 , UNLESS OTHERWISE SPECIFIED

PARTY'S NAME	MFAB TECH PVT. LTD., BANGALORE
PARTY'S DRAWING No.	AS PER SPECIFICATION & REQUIREMENT
ALLOY & TEMPER	HE9 WP
DESCRIPTION	ROUND TUBE