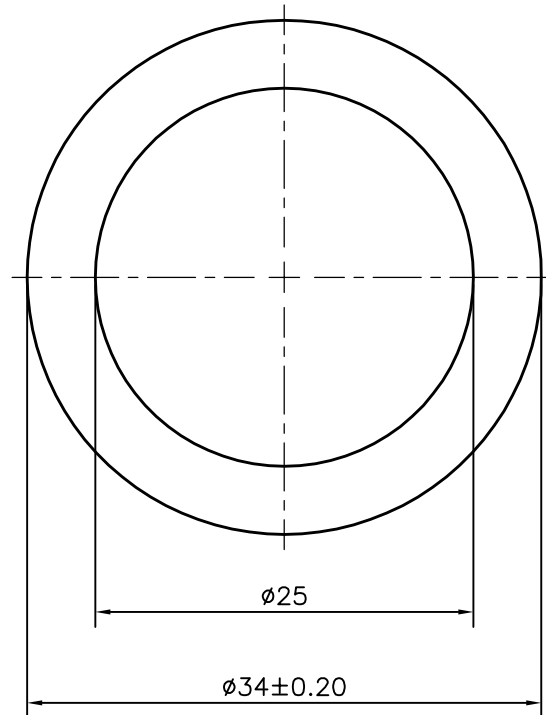
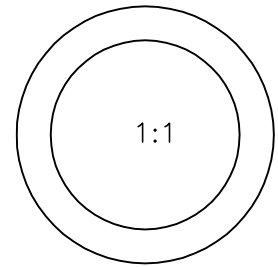


P-14023

13600



SYMBOL OF QUALITY  
AN ISO 9001 COMPANY

**JINDAL ALUMINIUM LTD.**  
*BANGALORE-560073 (INDIA)*

	NAME	DATE
DRAWN	J.P.KAUSHIK	01-10-2014
CHECKED		
APPROVED	S.S.GARG	15-10-2014
SCALE		2:1
AREA mm <sup>2</sup>		417.046
PERIMETER mm.		106.814
WEIGHT kg/m		1.126
DRAWING No.	SECTION No.	
P-14023	-	
13600	13600	

1. ALL DIMENSIONS ARE IN mm.
2. ROUND OFF ALL SHARP CORNERS WITH 0.40 mm.
3. TOLERANCES WILL BE AS PER,BS:EN-755-9 UNLESS OTHERWISE SPECIFIED

PARTY'S NAME	TANFEL,INC., CANADA
PARTY'S DRAWING No.	EDR-EC-008c
ALLOY & TEMPER	1050
DESCRIPTION	ROUND TUBE