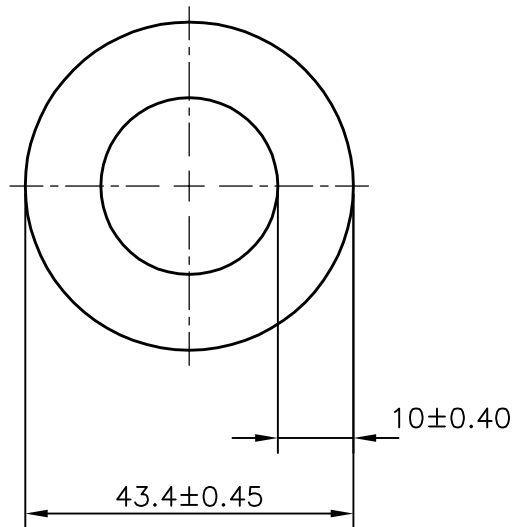


P-11990

S3458

13601



SYMBOL OF QUALITY
AN ISO 9001 COMPANY

JINDAL ALUMINIUM LTD.
BANGALORE-560073 (INDIA)

	NAME	DATE
DRAWN	J.P.KAUSHIK	21-08-2012
CHECKED		
APPROVED	S.S.GARG	27-08-2012

1. ALL DIMENSIONS ARE IN mm.
2. ROUND OFF ALL SHARP CORNERS WITH 0.40 mm.
3. TOLERANCES WILL BE AS PER IS:2673-2002, UNLESS OTHERWISE SPECIFIED

SCALE	1:1
AREA mm ²	1049.292
PERIMETER mm.	136.345
WEIGHT kg/m	2.833

PARTY'S NAME GLOBE COMPONENTS (P) LTD., CHENNAI

DRAWING No. SECTION No.

PARTY'S DRAWING No. AS PER SPECIFICATION

P-11990

-

ALLOY & TEMPER 6063 T6

S3458

S3458

DESCRIPTION

ROUND TUBE

13601

13601