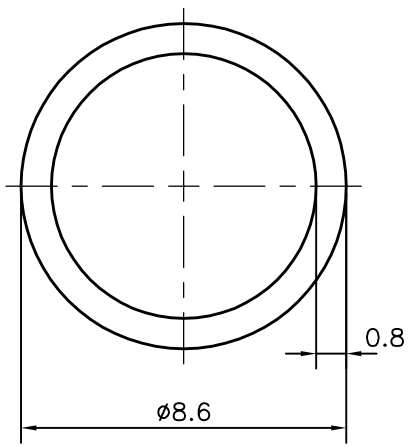
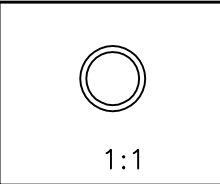



P-11917
S3793
13602



 SYMBOL OF QUALITY AN ISO 9001 COMPANY	JINDAL ALUMINIUM LTD. <i>BANGALORE-560073 (INDIA)</i>		NAME	DATE
		DRAWN	J.P.KAUSHIK	20-07-2012
1. ALL DIMENSIONS ARE IN mm. 2. ROUND OFF ALL SHARP CORNERS WITH 0.40 mm. 3. TOLERANCES WILL BE AS PER IS:2673-2002 UNLESS OTHERWISE SPECIFIED		CHECKED		
		APPROVED	S.S.GARG	21-06-2013
PARTY'S NAME QUALITY INDUSTRIES UNIT II, SOLAN		SCALE		5:1
		AREA mm ²		19.604
PARTY'S DRAWING No. AS PER SPECIFICATION		PERIMETER mm.		27.018
		WEIGHT kg/m		0.053
ALLOY & TEMPER E1E 'M'		DRAWING No.	SECTION No.	
		P-11917	-	
DESCRIPTION ROUND TUBE		S3793	S3793	
		13602	13602	