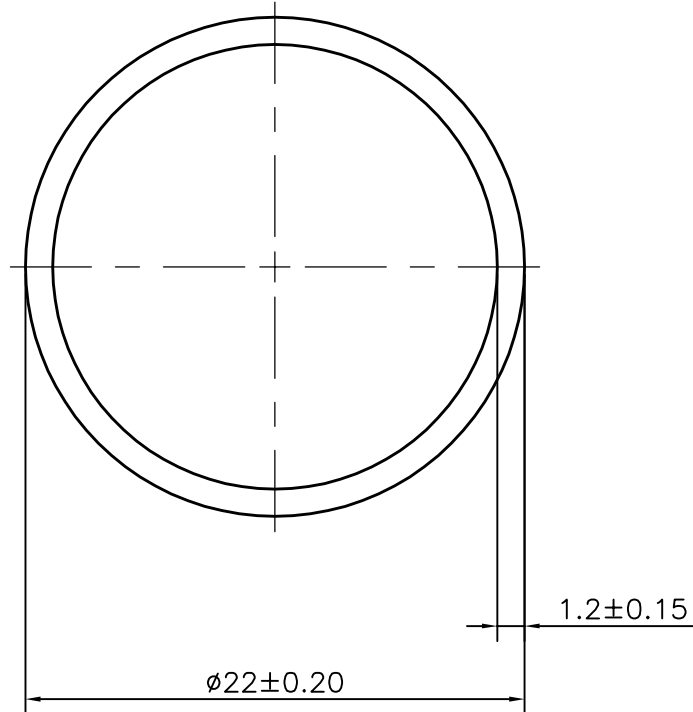
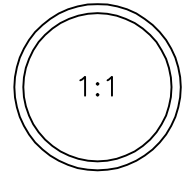


P-12819

S3781

13603



SYMBOL OF QUALITY
AN ISO 9001 COMPANY

JINDAL ALUMINIUM LTD.
BANGALORE-560073 (INDIA)

	NAME	DATE
DRAWN	<i>SRIVATHSA</i>	05-06-2013
CHECKED		
APPROVED	S.S.GARG	12-06-2013
SCALE		3:1
AREA mm ²		78.414
PERIMETER mm.		69.115
WEIGHT kg/m		0.212
DRAWING No.		SECTION No.
P-12819		-
S3781		S3781
13603		13603

1. ALL DIMENSIONS ARE IN mm.
2. ROUND OFF ALL SHARP CORNERS WITH 0.40 mm.
3. TOLERANCES WILL BE AS PER IS:2673-2002 , UNLESS OTHERWISE SPECIFIED

PARTY'S NAME TYNOR ORTHOTICS PVT. LTD., MOHALI

PARTY'S DRAWING No. AS PER SPECIFICATION

ALLOY & TEMPER 6063 T6

DESCRIPTION ROUND TUBE