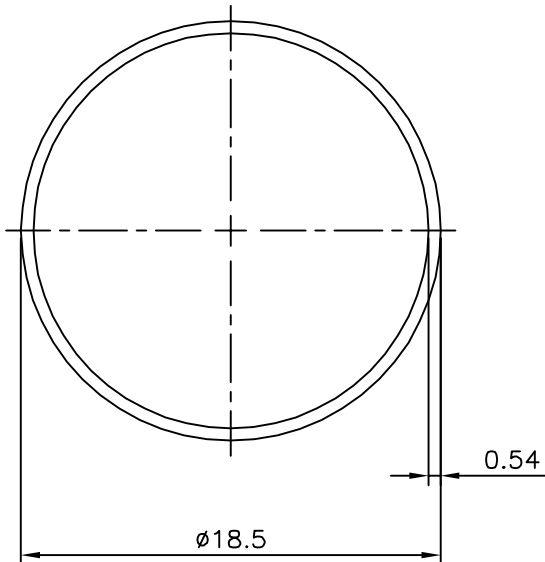
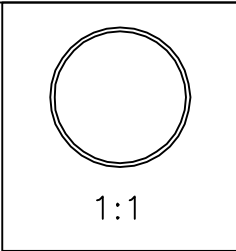



P-12113
S3503
13612



 SYMBOL OF QUALITY AN ISO 9001 COMPANY	JINDAL ALUMINIUM LTD. BANGALORE-560073 (INDIA)		NAME	DATE
		DRAWN	J.P.KAUSHIK	05-10-2012
1. ALL DIMENSIONS ARE IN mm. 2. ROUND OFF ALL SHARP CORNERS WITH 0.40 mm. 3. TOLERANCES WILL BE AS PER IS:2673-2002 UNLESS OTHERWISE SPECIFIED		CHECKED		
		APPROVED	S.S.GARG	17-10-2012
PARTY'S NAME SIDDHI ENGINEERS., AHMEDABAD		SCALE		3:1
		AREA mm ²		30.468
PARTY'S DRAWING No. AS PER SPECIFICATION		PERIMETER mm.		58.119
		WEIGHT kg/m		0.082
ALLOY & TEMPER 1050 F		DRAWING No.	SECTION No.	
		P-12113	-	
DESCRIPTION ROUND TUBE		S3503	S3503	
		13612	13612	