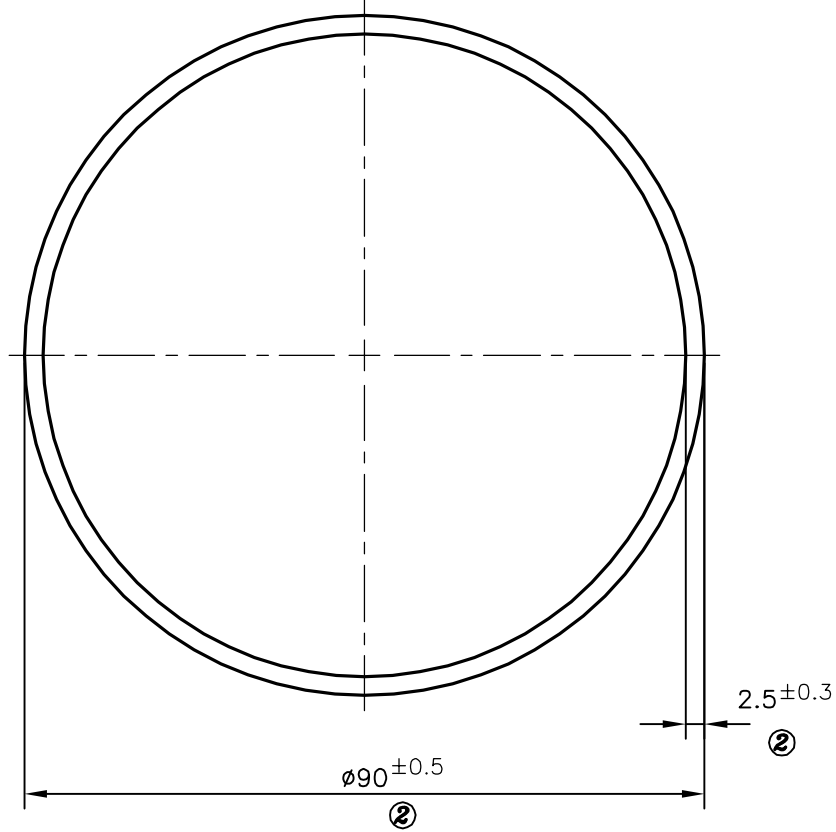


P-12357

S3585

13613



ISSUE (2) :-

TOLRENCE ADDED ON :-

1. OD = $\phi 90 \pm 0.5$
2. THICKNESS = 2.5 ± 0.3



SYMBOL OF QUALITY
AN ISO 9001 COMPANY

JINDAL ALUMINIUM LTD.
BANGALORE-560073 (INDIA)

	NAME	DATE
DRAWN	PARVESH	12-01-2013
CHECKED		
APPROVED	S.S.GARG	17-01-2013
SCALE		1:1
AREA mm ²		687.223
PERIMETER mm.		282.743
WEIGHT kg/m		1.856
DRAWING No.	SECTION No.	
P-12357	-	
S3585	S3585(ISSUE-2)	
13613	13613	

1. ALL DIMENSIONS ARE IN mm.
2. ROUND OFF ALL SHARP CORNERS WITH 0.40 mm.
3. TOLERANCES WILL BE AS PER IS:2673-2002 , UNLESS OTHERWISE SPECIFIED

PARTY'S NAME	CONFIDENT DENTAL EQUIPMENTS LTD.,BANGALORE
PARTY'S DRAWING No.	AT454401
ALLOY & TEMPER	HE9 WP
DESCRIPTION	ROUND TUBE