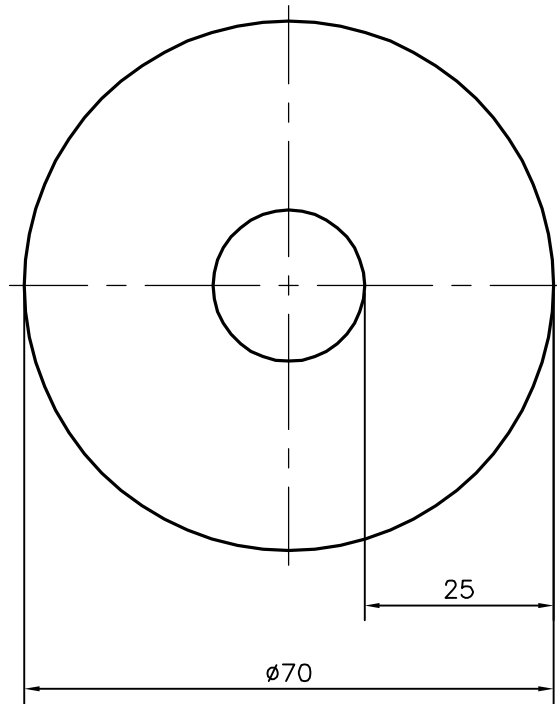


P-12400

S3592

13614



SYMBOL OF QUALITY  
AN ISO 9001 COMPANY

**JINDAL ALUMINIUM LTD.**  
BANGALORE-560073 (INDIA)

	NAME	DATE
DRAWN	SRIVATHSA	29-12-2012
CHECKED		
APPROVED	S.S.GARG	04-01-2013
SCALE		1:1
AREA mm <sup>2</sup>		3534.292
PERIMETER mm.		219.911
WEIGHT kg/m		9.543
DRAWING No.	SECTION No.	
P-12400	-	
S3592	S3592	
13614	13614	

1. ALL DIMENSIONS ARE IN mm.
2. ROUND OFF ALL SHARP CORNERS WITH 0.40 mm.
3. TOLERANCES WILL BE AS PER IS:2673-2002, UNLESS OTHERWISE SPECIFIED

PARTY'S NAME	FORWARD ENGINEERING INDUSTRIES, BHOPAL
PARTY'S DRAWING No.	AS PER SPECIFICATION
ALLOY & TEMPER	19501 'M'
DESCRIPTION	ROUND TUBE