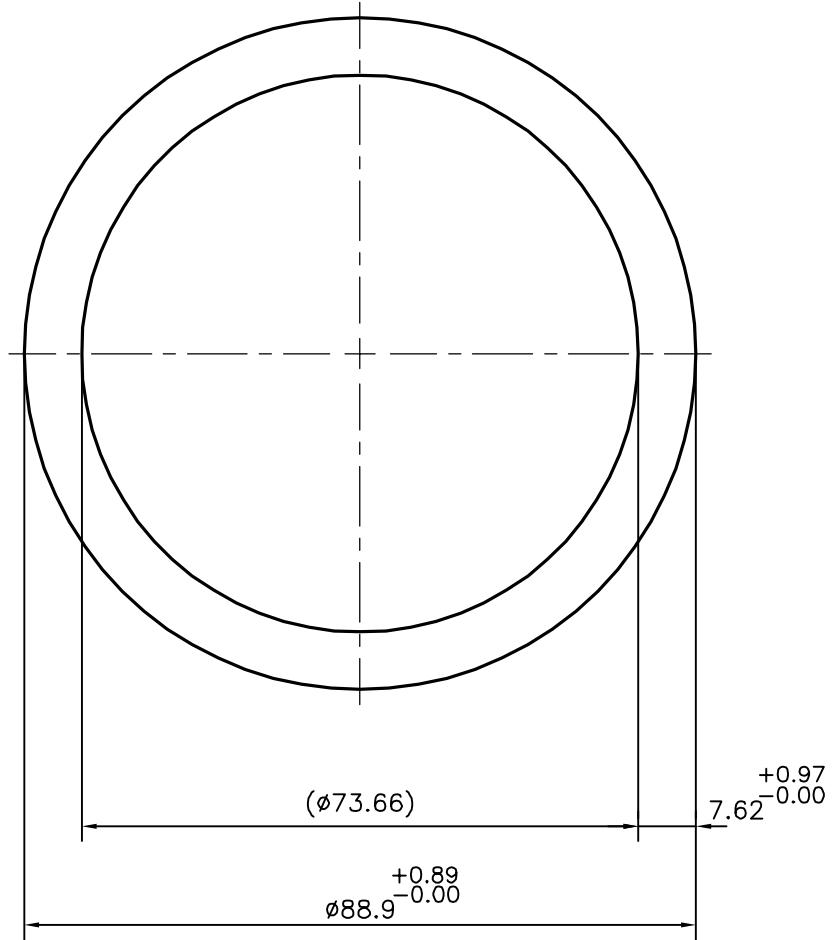


P-14242

13617



SYMBOL OF QUALITY
AN ISO 9001 COMPANY

JINDAL ALUMINIUM LTD.
BANGALORE-560073 (INDIA)

	NAME	DATE
DRAWN	J.P.KAUSHIK	06-12-2014
CHECKED		
APPROVED	B.NATARAJA	13-03-2015
SCALE		1:1
AREA mm ²		1945.757
PERIMETER mm.(EXT.)		279.288
WEIGHT kg/m		5.254
DRAWING No.	SECTION No.	
P-14242	-	
13617	13617	

1. ALL DIMENSIONS ARE IN mm.
2. ROUND OFF ALL SHARP CORNERS WITH 0.40 mm.
3. TOLERANCES WILL BE AS PER IS:2673-2002 UNLESS OTHERWISE SPECIFIED

PARTY'S NAME	ABB LIMITED., BANGALORE
PARTY'S DRAWING No.	-
ALLOY & TEMPER	63401 WP (RANGE2)
DESCRIPTION	I.P.S. TUBE (3 INCH.SCH 80)