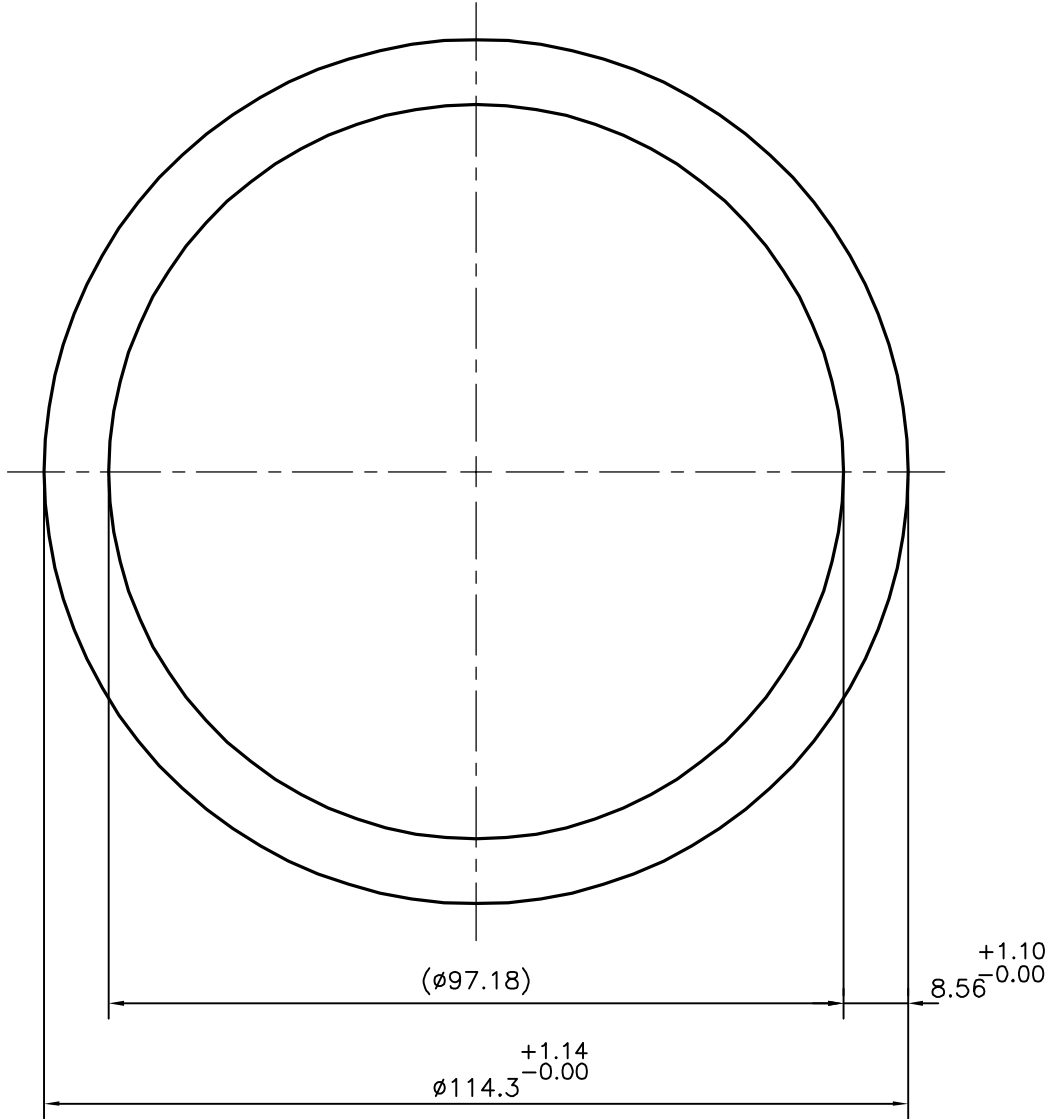


P-14243

13618



SYMBOL OF QUALITY
AN ISO 9001 COMPANY

JINDAL ALUMINIUM LTD.
BANGALORE-560073 (INDIA)

	NAME	DATE
DRAWN	J.P.KAUSHIK	06-12-2014
CHECKED		
APPROVED	B.NATARAJA	13-03-2015
SCALE		1:1
AREA mm ²		2843.564
PERIMETER mm.		359.084
WEIGHT kg/m		7.678
DRAWING No.	SECTION No.	
P-14243	-	
13618	13618	

1. ALL DIMENSIONS ARE IN mm.
2. ROUND OFF ALL SHARP CORNERS WITH 0.40 mm.
3. TOLERANCES WILL BE AS PER IS:2673-2002 UNLESS OTHERWISE SPECIFIED

PARTY'S NAME	ABB LIMITED., BANGALORE
PARTY'S DRAWING No.	-
ALLOY & TEMPER	63401 WP (RANGE 2)
DESCRIPTION	I.P.S. TUBE (4 INCH. SCH 80)