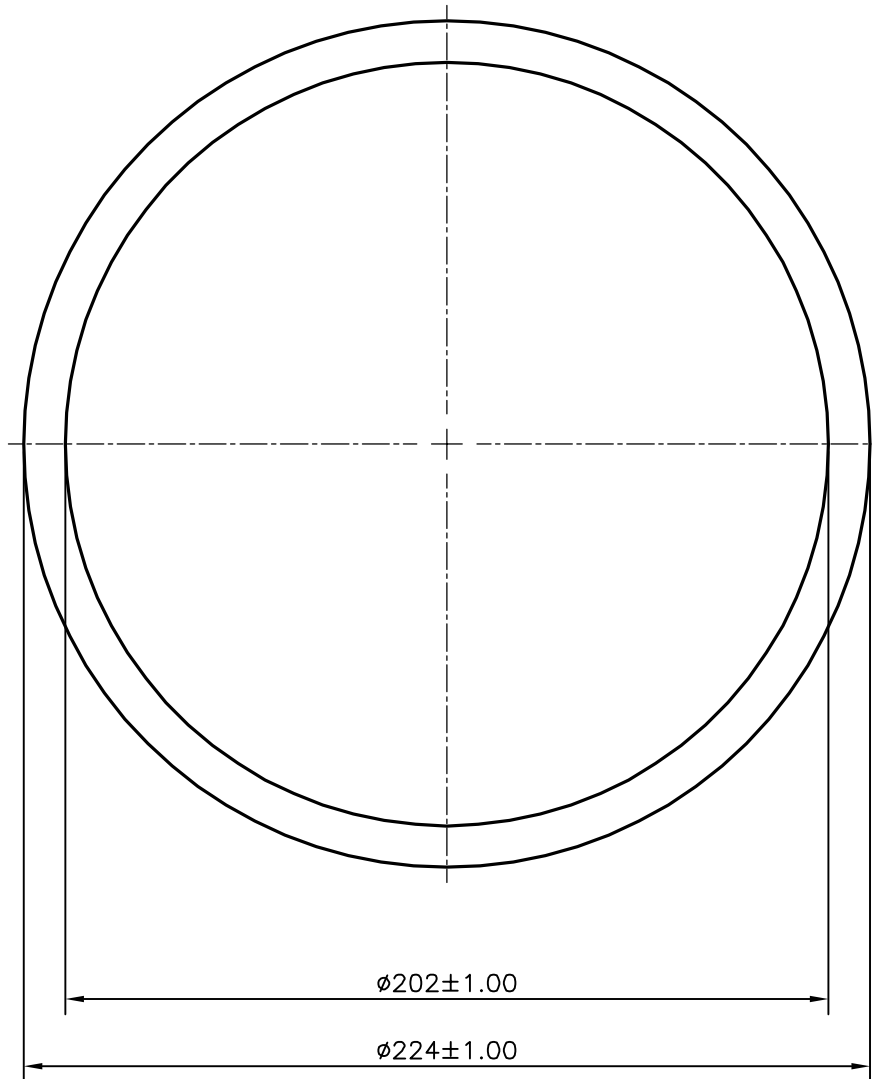


P-13763

S4214

13619



- 1. STRAIGHTNESS=1.0 mm/M
- 2. OVALITY = ± 2.0 mm.



SYMBOL OF QUALITY
AN ISO 9001 COMPANY

JINDAL ALUMINIUM LTD.
BANGALORE-560073 (INDIA)

	NAME	DATE
DRAWN	PARVESH	18-07-2014
CHECKED		
APPROVED	S.S.GARG	25-08-2014
SCALE		0.5:1
AREA mm ²		7360.752
PERIMETER mm.		703.717
WEIGHT kg/m		19.874
DRAWING No.	SECTION No.	
P-13763	-	
S4214	S4214	
13619	13619	

- 1. ALL DIMENSIONS ARE IN mm.
- 2. ROUND OFF ALL SHARP CORNERS WITH 0.40 mm.
- 3. TOLERANCES WILL BE AS PER IS:2673-2002 , UNLESS OTHERWISE SPECIFIED

PARTY'S NAME	STEWART PINNED PRODUCTS PVT. LTD., BANGALORE
PARTY'S DRAWING No.	AS PER SPECIFICATION
ALLOY & TEMPER	6060 T6
DESCRIPTION	ROUND TUBE