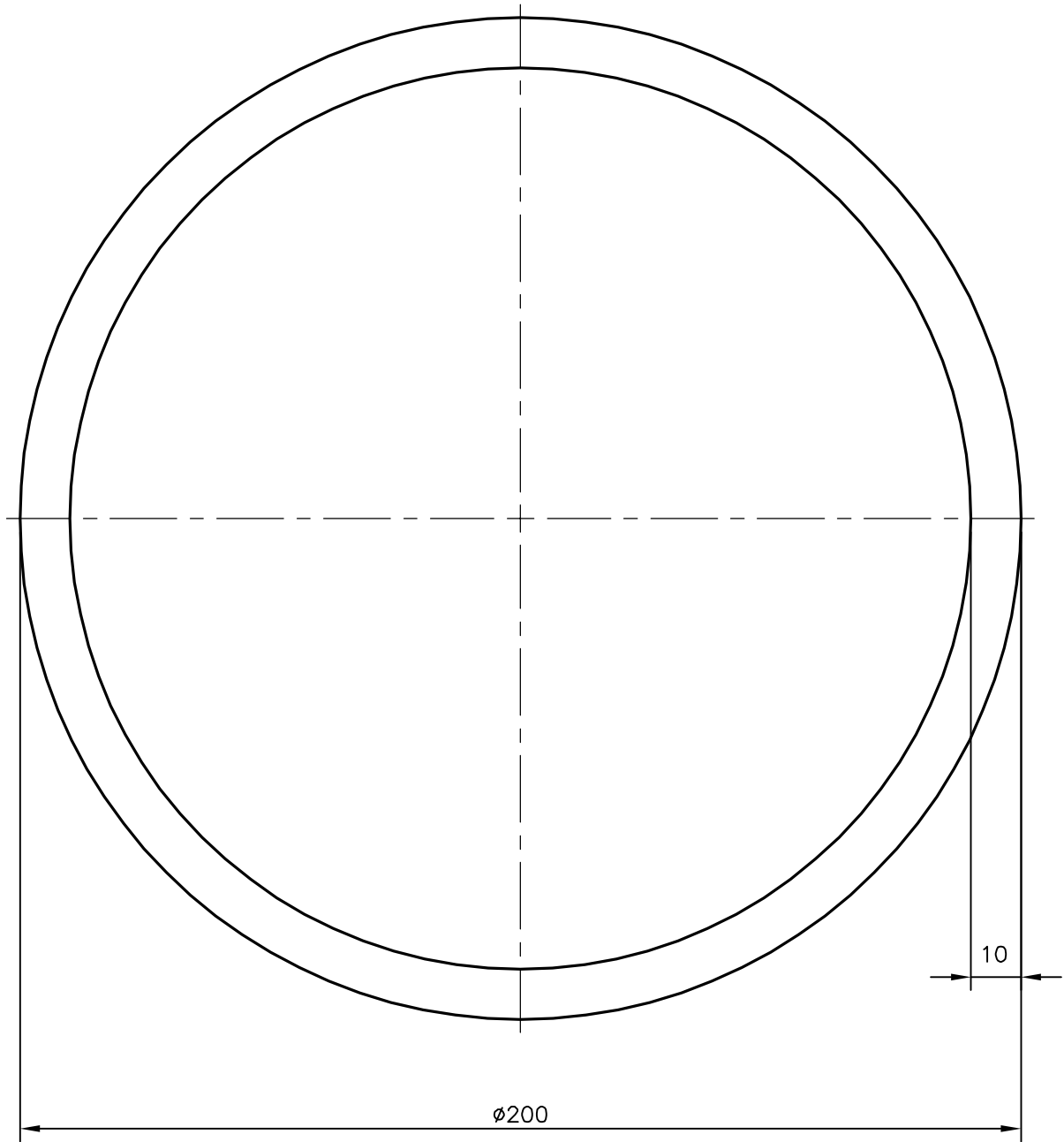



P-14580

13622



 SYMBOL OF QUALITY AN ISO 9001 COMPANY	<b>JINDAL ALUMINIUM LTD.</b> BANGALORE-560073 (INDIA)		NAME	DATE
		DRAWN	J.P.KAUSHIK	25-04-2015
1. ALL DIMENSIONS ARE IN mm. 2. ROUND OFF ALL SHARP CORNERS WITH 0.40 mm. 3. TOLERANCES WILL BE AS PER BS:EN-755-9 UNLESS OTHERWISE SPECIFIED		CHECKED		
		APPROVED	S.S.GARG	13-05-2015
PARTY'S NAME TRIANGLE SHIP BULDING LLC, DUBAI		SCALE	0.75:1	
		AREA mm <sup>2</sup>	5969.026	
PARTY'S DRAWING No. AS PER SPECIFICATION		PERIMETER mm.	628.319	
		WEIGHT kg/m	16.116	
ALLOY & TEMPER 6082 T6		DRAWING No.	SECTION No.	
		P-14580	-	
DESCRIPTION ROUND TUBE		13622	13622	