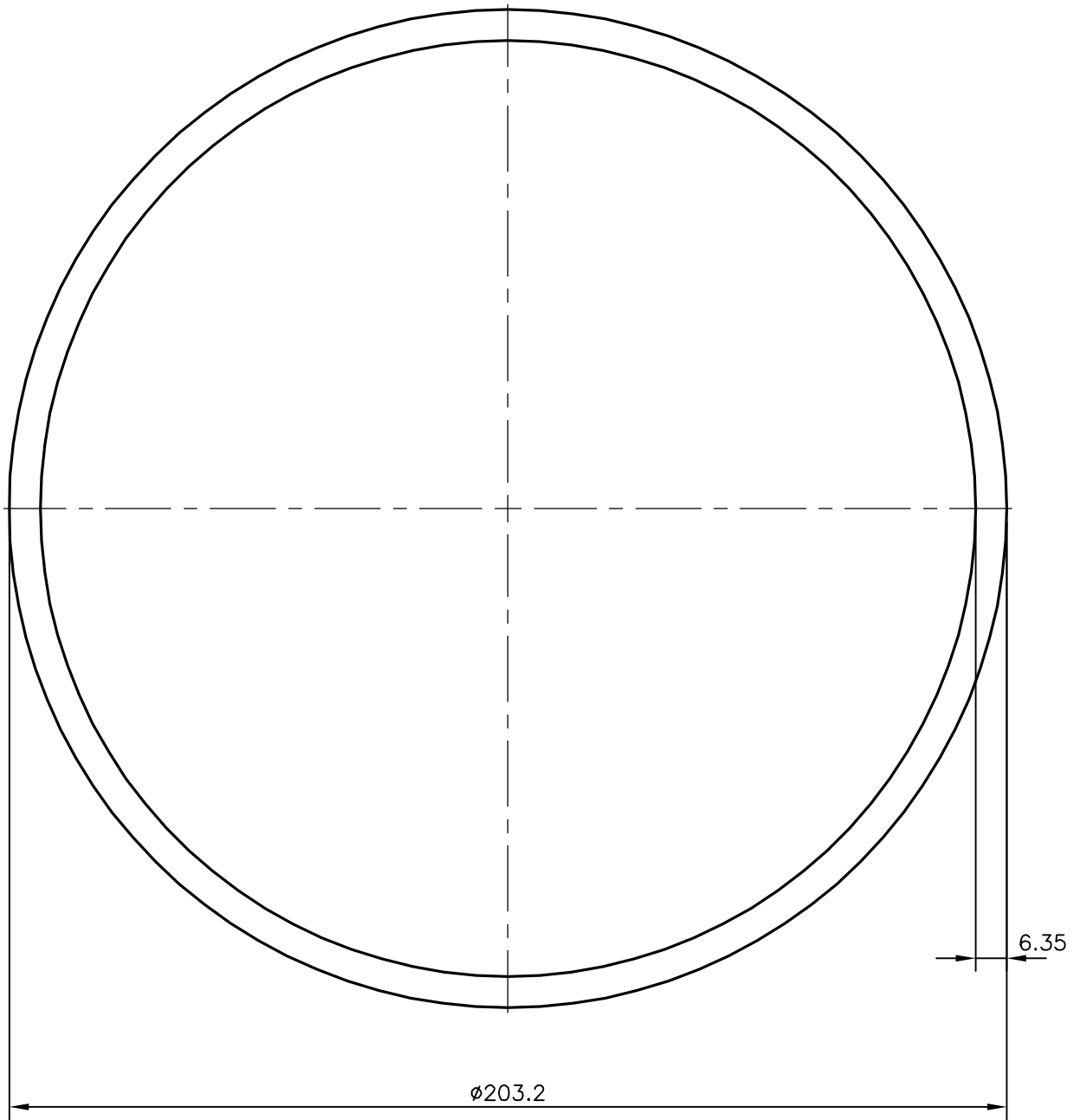



P-14581-1

13623



 SYMBOL OF QUALITY AN ISO 9001 COMPANY	JINDAL ALUMINIUM LTD. BANGALORE-560073 (INDIA)		NAME	DATE
		DRAWN	J.P.KAUSHIK	28-04-2015
1. ALL DIMENSIONS ARE IN mm. 2. ROUND OFF ALL SHARP CORNERS WITH 0.40 mm. 3. TOLERANCES WILL BE AS PER BS:EN-755-9 UNLESS OTHERWISE SPECIFIED		CHECKED		
		APPROVED	S.S.GARG	13-05-2015
PARTY'S NAME TRIANGLE SHIP BULDING LLC, DUBAI		SCALE	0.75:1	
		AREA mm ²	3926.983	
PARTY'S DRAWING No. AS PER SPECIFICATION & REQUIREMENT		PERIMETER mm.	638.372	
		WEIGHT kg/m	10.603	
ALLOY & TEMPER 6082 T6		DRAWING No.	SECTION No.	
		P-14581-1	-	
DESCRIPTION ROUND TUBE		13623	13623	