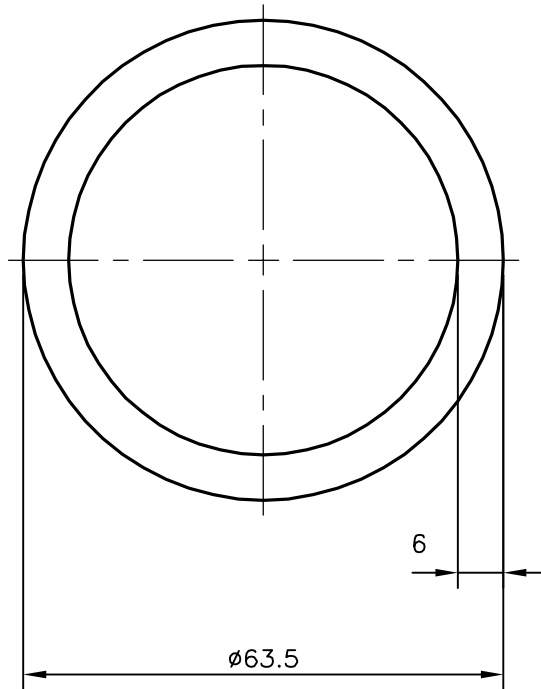


P-14599

13625



SYMBOL OF QUALITY  
AN ISO 9001 COMPANY

**JINDAL ALUMINIUM LTD.**  
*BANGALORE-560073 (INDIA)*

	NAME	DATE
DRAWN	J.P.KAUSHIK	29-04-2015
CHECKED		
APPROVED	S.S.GARG	13-05-2015
SCALE		1:1
AREA mm <sup>2</sup>		1083.849
PERIMETER mm.		199.491
WEIGHT kg/m		2.926
DRAWING No.	SECTION No.	
P-14599	-	
13625	13625	

1. ALL DIMENSIONS ARE IN mm.
2. ROUND OFF ALL SHARP CORNERS WITH 0.40 mm.
3. TOLERANCES WILL BE AS PER BS:EN-755-9 UNLESS OTHERWISE SPECIFIED

PARTY'S NAME	TRIANGLE SHIP BULDING LLC, DUBAI
PARTY'S DRAWING No.	AS PER SPECIFICATION
ALLOY & TEMPER	6082 T6
DESCRIPTION	ROUND TUBE