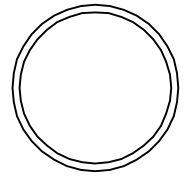


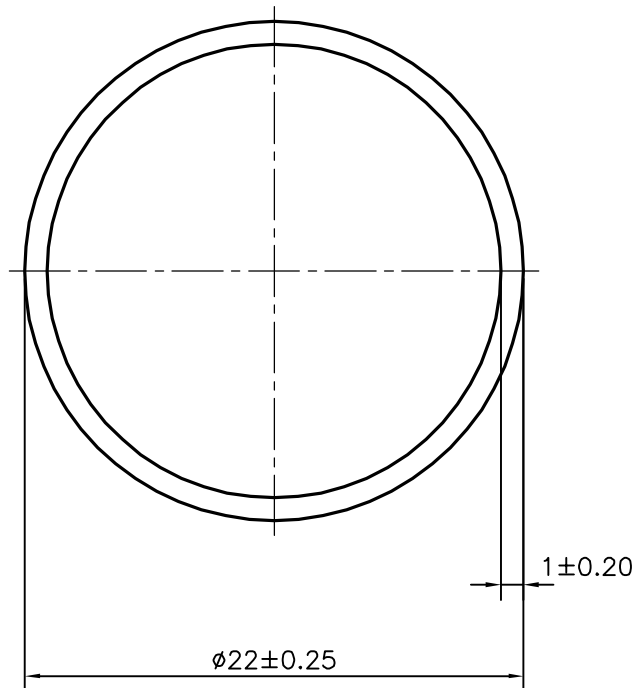
P-12577

S3683

13626



SCALE: - 1:1



SYMBOL OF QUALITY
AN ISO 9001 COMPANY

JINDAL ALUMINIUM LTD.
BANGALORE-560073 (INDIA)

	NAME	DATE
DRAWN	PARVESH	02-03-2013
CHECKED		
APPROVED	S.S.GARG	05-03-2013

1. ALL DIMENSIONS ARE IN mm.
2. ROUND OFF ALL SHARP CORNERS WITH 0.40 mm.
3. TOLERANCES WILL BE AS PER IS:2673-2002 , UNLESS OTHERWISE SPECIFIED

SCALE	3:1
AREA mm ²	65.973
PERIMETER mm.	69.115
WEIGHT kg/m	0.178

PARTY'S NAME	JAY SHREE GAJANAN ENGINEERS PVT. LTD., AHMEDNAGAR	DRAWING No.	P-12577	SECTION No.	-
PARTY'S DRAWING No.	AS PER SPECIFICATION		S3683		S3683
ALLOY & TEMPER	6060 T5		13626		13626
DESCRIPTION	ROUND TUBE				