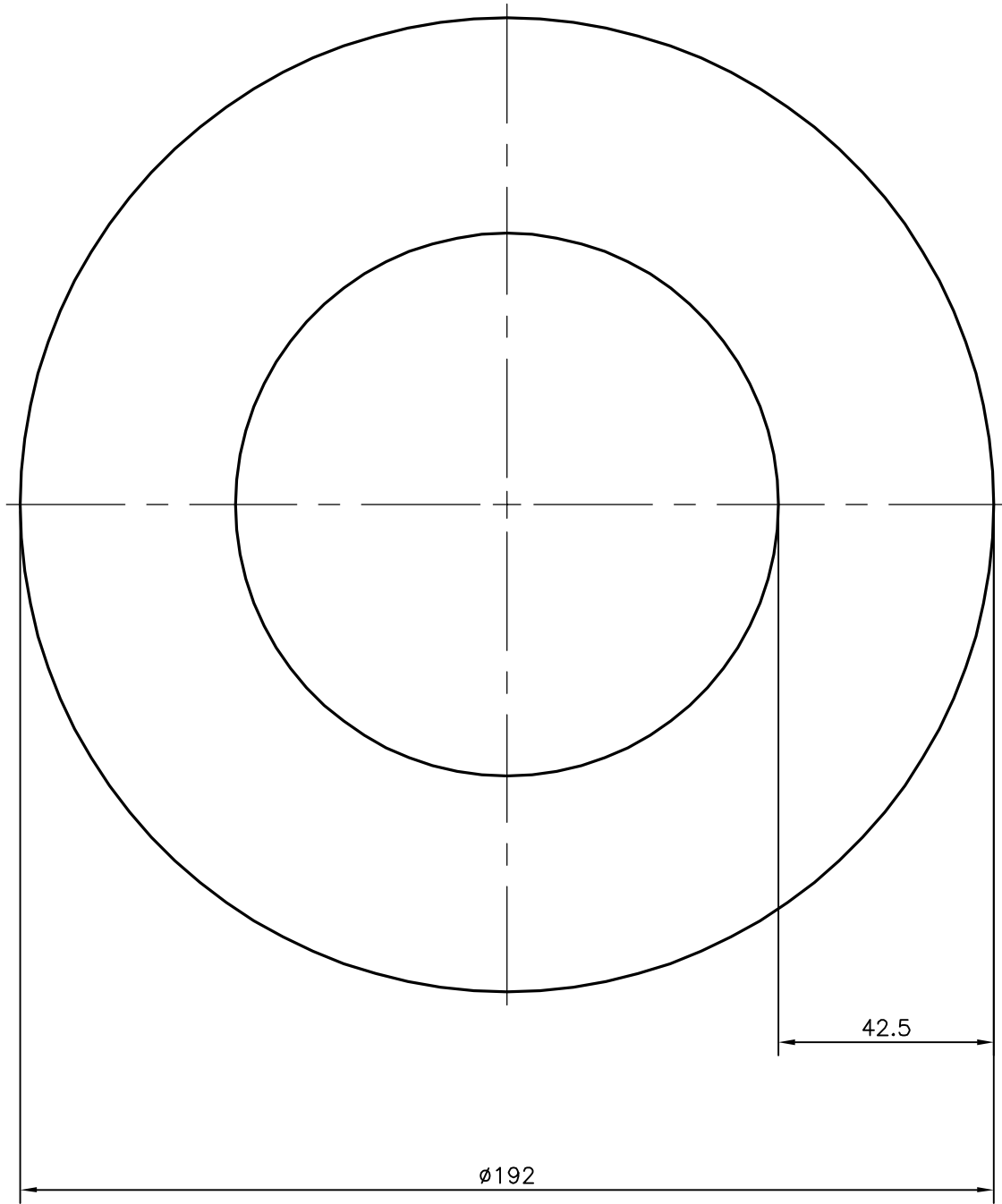


P-14704

13627



SYMBOL OF QUALITY  
AN ISO 9001 COMPANY

**JINDAL ALUMINIUM LTD.**  
*BANGALORE-560073 (INDIA)*

	NAME	DATE
DRAWN	J.P.KAUSHIK	06-06-2015
CHECKED		
APPROVED	S.S.GARG	11-06-2015
SCALE		0.75:1
AREA mm <sup>2</sup>		19960.894
PERIMETER mm.		603.186
WEIGHT kg/m		53.894
DRAWING No.	SECTION No.	
P-14704		
13627	13627	

1. ALL DIMENSIONS ARE IN mm.
2. ROUND OFF ALL SHARP CORNERS WITH 0.40 mm.
3. TOLERANCES WILL BE AS PER IS:2673-2002 UNLESS OTHERWISE SPECIFIED

PARTY'S NAME	GENERAL CATEGORY, BANGALORE MARKET
PARTY'S DRAWING No.	AS PER SPECIFICATION
ALLOY & TEMPER	6061 T6
DESCRIPTION	ROUND TUBE