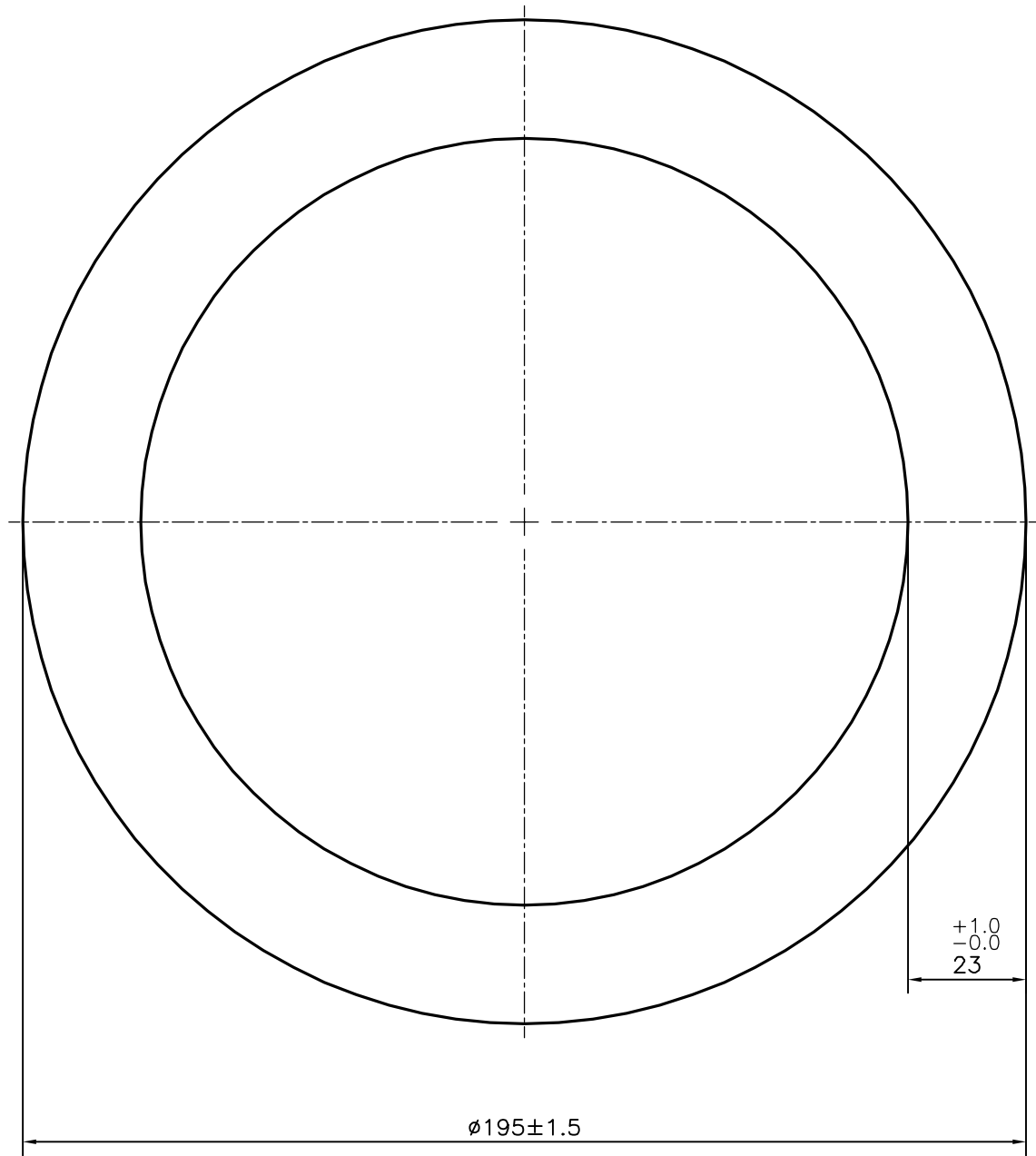



P-14281-1

S4347

13629



OVALITY: ± 1.5 mm

| | | | | | |
|--|--|------------------------------------|-------------|----------------------|----------------------|
|  SYMBOL OF QUALITY AN ISO 9001 COMPANY | JINDAL ALUMINIUM LTD. BANGALORE-560073 (INDIA) | NAME | | DATE | |
| | | DRAWN | J.P.KAUSHIK | 14-01-2014 | |
| 1. ALL DIMENSIONS ARE IN mm. 2. ROUND OFF ALL SHARP CORNERS WITH 0.40 mm. 3. TOLERANCES WILL BE AS PER IS:2673-2002 UNLESS OTHERWISE SPECIFIED | | CHECKED | | | |
| | | APPROVED | S.S.GARG | 17-01-2015 | |
| PARTY'S NAME | | ECHAAR EQUIPMENTS PVT. LTD., THANE | | SCALE | 0.75:1 |
| | | PARTY'S DRAWING No. | | AS PER SPECIFICATION | AREA mm ² |
| ALLOY & TEMPER | | 19500 'O' | | PERIMETER mm. | 612.611 |
| | | DESCRIPTION | | ROUND TUBE | WEIGHT kg/m |
| | | | | DRAWING No. | SECTION No. |
| | | | | P-14281-1 | - |
| | | | | S4347 | S4347 |
| | | | | 13629 | 13629 |