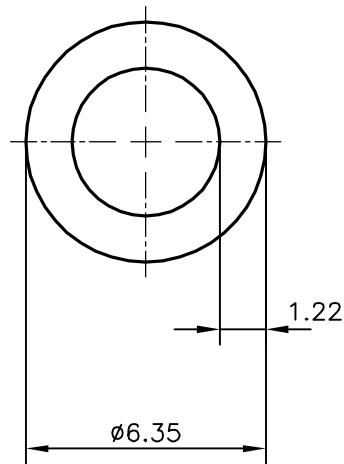


P-14850

13630



1:1



SYMBOL OF QUALITY
AN ISO 9001 COMPANY

JINDAL ALUMINIUM LTD.
BANGALORE-560073 (INDIA)

	NAME	DATE
DRAWN	J.P.KAUSHIK	08-07-2015
CHECKED		
APPROVED	S.S.GARG	09-07-2015

1. ALL DIMENSIONS ARE IN mm.
2. ROUND OFF ALL SHARP CORNERS WITH 0.40 mm.
3. TOLERANCES WILL BE AS PER IS:2673-2002, UNLESS OTHERWISE SPECIFIED

SCALE	5:1
AREA mm ²	19.662
PERIMETER mm.	19.949
WEIGHT kg/m	0.053

PARTY'S NAME	GENERAL CATEGORY, CHENNAI MARKET	DRAWING No.	SECTION No.
PARTY'S DRAWING No.	AS PER SPECIFICATION	P-14850	-
ALLOY & TEMPER	HE9 WP	13630	13630
DESCRIPTION	ROUND TUBE		