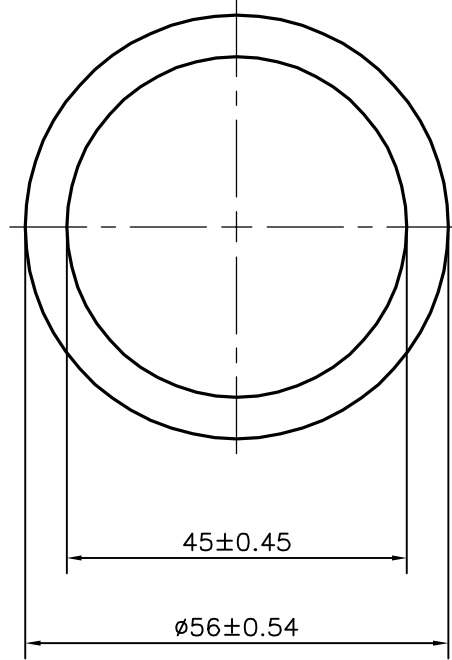


P-12865

S3809

13632



SYMBOL OF QUALITY
AN ISO 9001 COMPANY

JINDAL ALUMINIUM LTD.
BANGALORE-560073 (INDIA)

	NAME	DATE
DRAWN	<i>SRIVATHSA</i>	25-06-2013
CHECKED		
APPROVED	<i>S.S.CARG</i>	22-07-2013

1. ALL DIMENSIONS ARE IN mm.
2. ROUND OFF ALL SHARP CORNERS WITH 0.40 mm.
3. TOLERANCES WILL BE AS PER IS:2673-2002 , UNLESS OTHERWISE SPECIFIED

SCALE	1:1
AREA mm ²	872.577
PERIMETER mm.	175.929
WEIGHT kg/m	2.356

PARTY'S NAME	KUMAR ENTERPRISES, KANPUR
--------------	---------------------------

DRAWING No.	SECTION No.
P-12865	-
S3809	S3809
13632	13632

PARTY'S DRAWING No.	AS PER SPECIFICATION
---------------------	----------------------

ALLOY & TEMPER	64430 WP
----------------	----------

DESCRIPTION	ROUND TUBE
-------------	------------