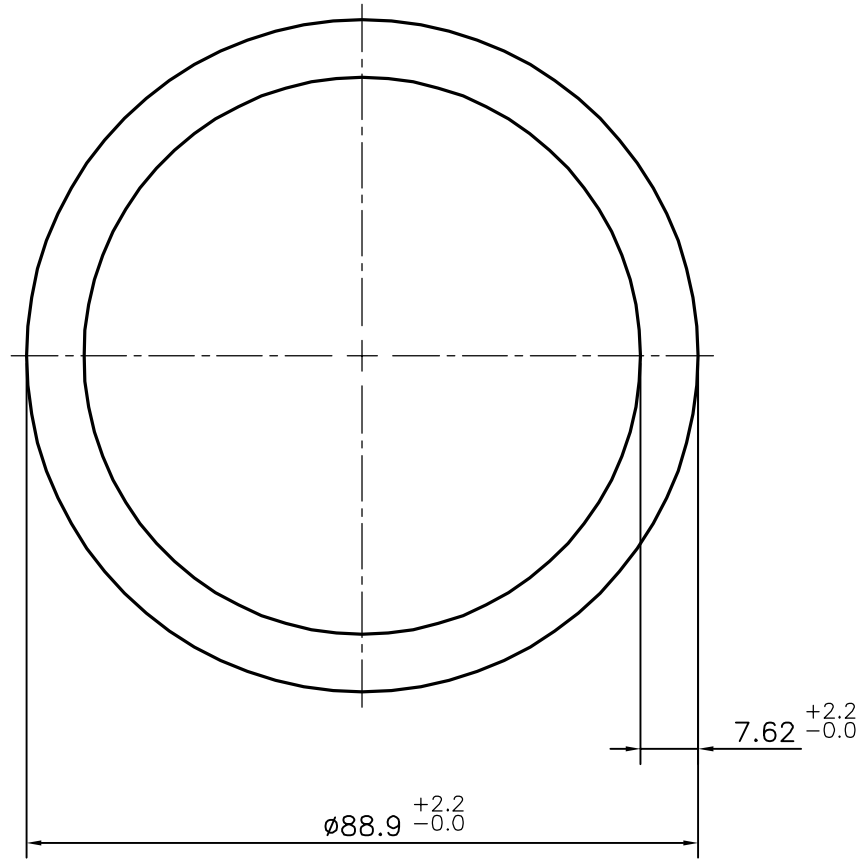



P-15071

13637



 SYMBOL OF QUALITY AN ISO 9001 COMPANY	JINDAL ALUMINIUM LTD. BANGALORE-560073 (INDIA)	DRAWN	NAME	DATE
		CHECKED	PARVESH	19-08-2015
1. ALL DIMENSIONS ARE IN mm. 2. ROUND OFF ALL SHARP CORNERS WITH 0.40 mm. 3. TOLERANCES WILL BE AS PER IS:2673-2002 , UNLESS OTHERWISE SPECIFIED		APPROVED	S.S.GARG	27-10-2015
		SCALE		1:1
PARTY'S NAME BHARAT HEAVY ELECTRICAL LIMITED, NOIDA		AREA	mm ²	1945.757
		PERIMETER	mm.	279.288
PARTY'S DRAWING No. AS PER SPECIFICATION		WEIGHT	kg/m	5.254
		DRAWING No.		SECTION No.
ALLOY & TEMPER 63401 WP		P-15071		-
		13637		13637
DESCRIPTION ROUND TUBE				