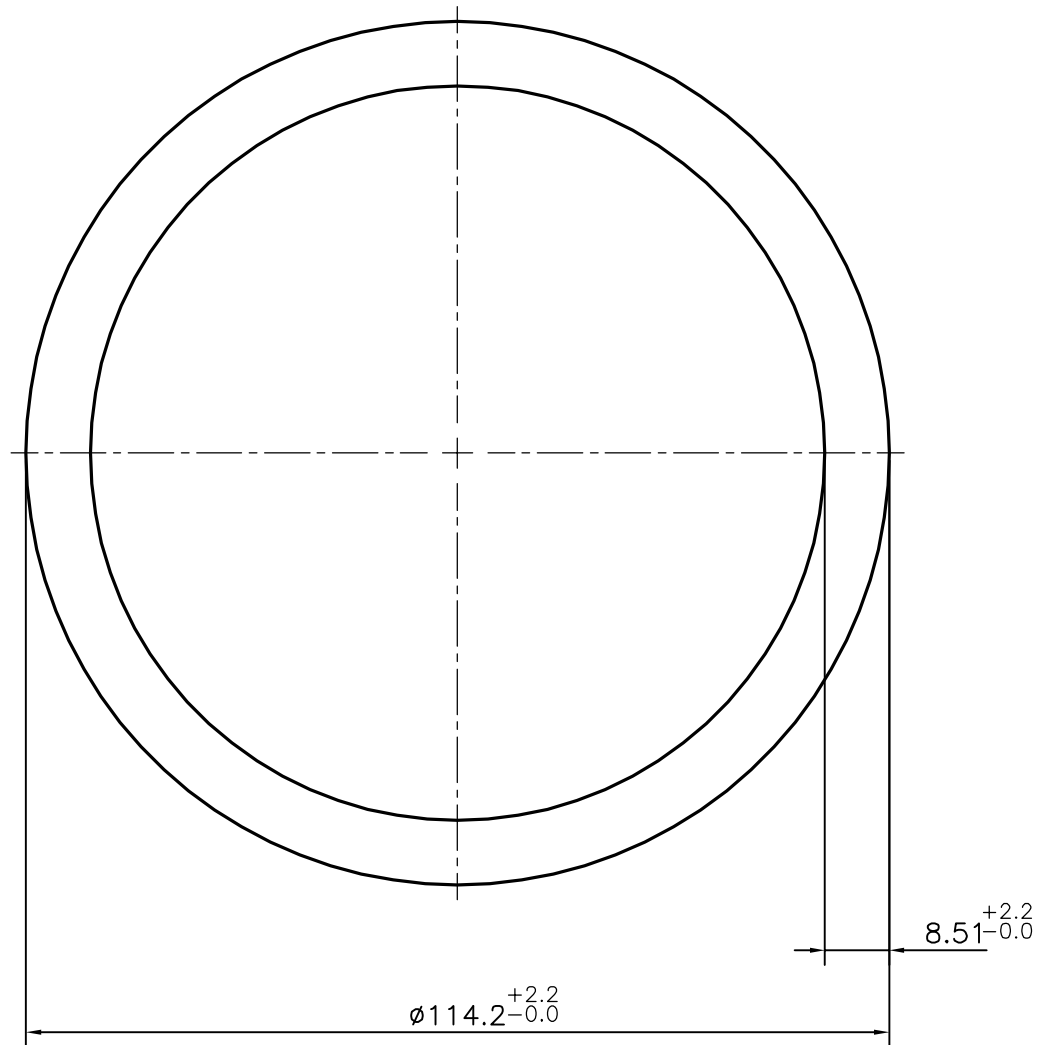


P-15072

13638



SYMBOL OF QUALITY
AN ISO 9001 COMPANY

JINDAL ALUMINIUM LTD.
BANGALORE-560073 (INDIA)

	NAME	DATE
DRAWN	PARVESH	19-08-2015
CHECKED		
APPROVED	S.S.GARG	27-10-2015
SCALE		1:1
AREA mm ²		2825.617
PERIMETER mm.		358.77
WEIGHT kg/m		7.629
DRAWING No.	SECTION No.	
P-15072	-	
13638	13638	

1. ALL DIMENSIONS ARE IN mm.
2. ROUND OFF ALL SHARP CORNERS WITH 0.40 mm.
3. TOLERANCES WILL BE AS PER IS:2673-2002 , UNLESS OTHERWISE SPECIFIED

PARTY'S NAME	BHARAT HEAVY ELECTRICAL LIMITED, NOIDA
PARTY'S DRAWING No.	AS PER SPECIFICATION
ALLOY & TEMPER	63401 WP
DESCRIPTION	ROUND TUBE