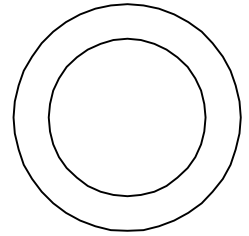


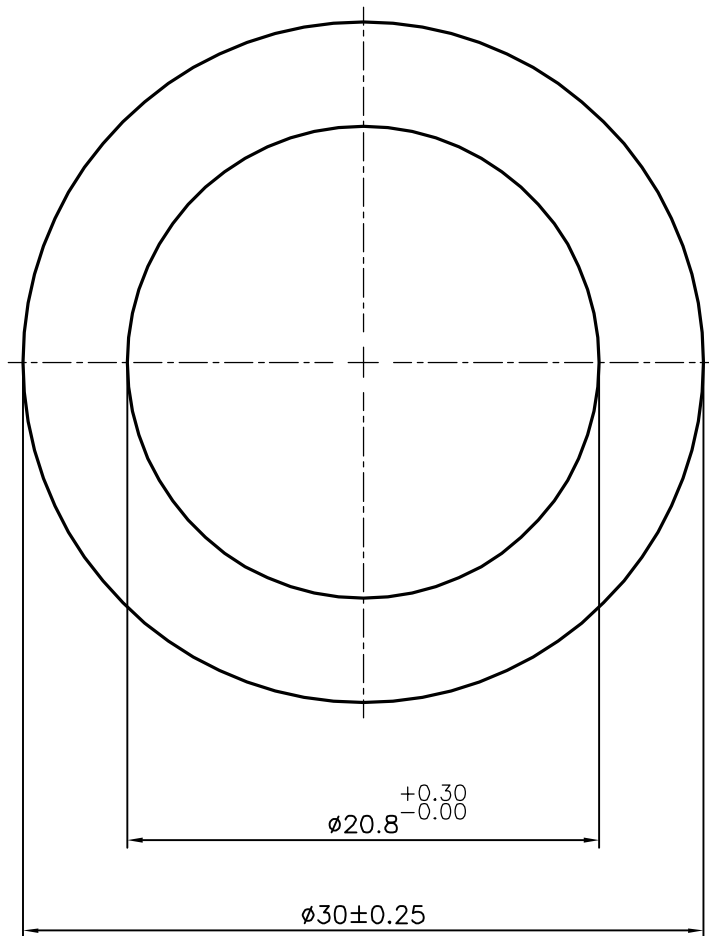
P-14101

S4310

13639



1:1



SYMBOL OF QUALITY  
AN ISO 9001 COMPANY

**JINDAL ALUMINIUM LTD.**  
**BANGALORE-560073 (INDIA)**

	NAME	DATE
DRAWN	J.P.KAUSHIK	14-11-2014
CHECKED		
APPROVED	S.S.GARG	03-12-2014
SCALE		3:1
AREA mm <sup>2</sup>		367.064
PERIMETER mm.		94.248
WEIGHT kg/m		0.991
DRAWING No.	SECTION No.	
P-14101	-	
S4310	S4310	
13639	13639	

1. ALL DIMENSIONS ARE IN mm.
2. ROUND OFF ALL SHARP CORNERS WITH 0.40 mm.
3. TOLERANCES WILL BE AS PER IS:2673-2002 , UNLESS OTHERWISE SPECIFIED

PARTY'S NAME	PINK SOLUTIONS, BANGALORE
PARTY'S DRAWING No.	AS PER DRAWING
ALLOY & TEMPER	HE30 WP
DESCRIPTION	ROUND TUBE