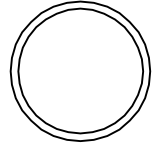
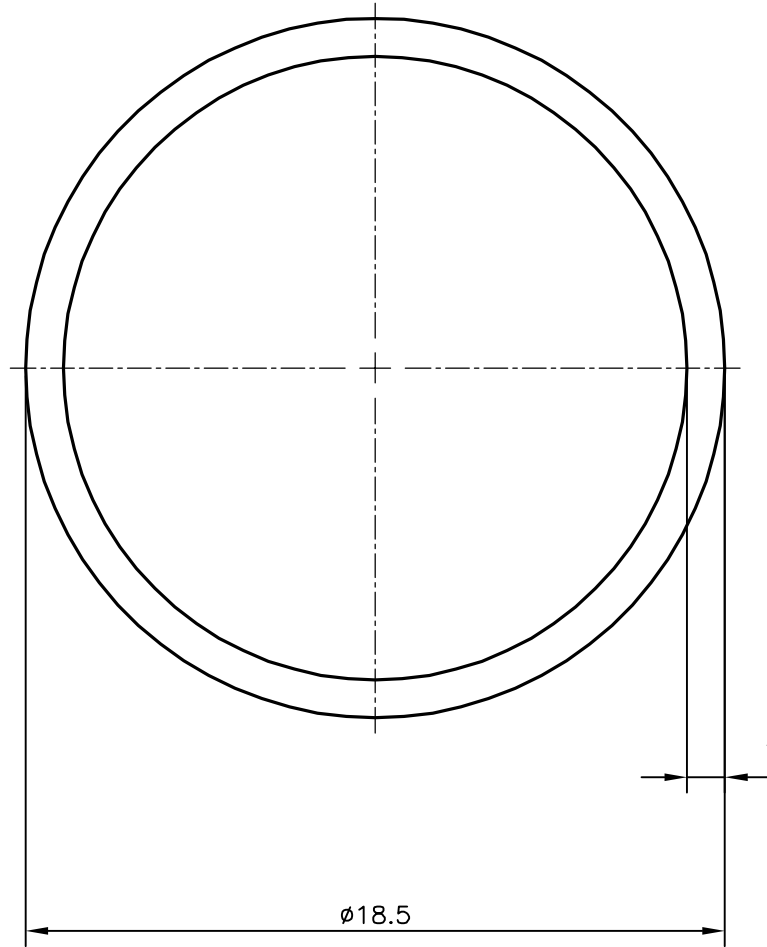


P-15523

13643



1:1



SYMBOL OF QUALITY  
AN ISO 9001 COMPANY

**JINDAL ALUMINIUM LTD.**  
BANGALORE-560073 (INDIA)

	NAME	DATE
DRAWN	J.P.KAUSHIK	19-01-2016
CHECKED		
APPROVED	S.S.GARG	21-01-2016
SCALE		5:1
AREA mm <sup>2</sup>		54.978
PERIMETER mm.		58.119
WEIGHT kg/m		0.148
DRAWING No.	SECTION No.	
P-15523	-	
13643	13643	

1. ALL DIMENSIONS ARE IN mm.
2. ROUND OFF ALL SHARP CORNERS WITH 0.40 mm.
3. TOLERANCES WILL BE AS PER IS:2673-2002 , UNLESS OTHERWISE SPECIFIED

PARTY'S NAME	GENERAL CATEGORY, DELHI MARKET
PARTY'S DRAWING No.	AS PER SPECIFICATION
ALLOY & TEMPER	HE9 WP
DESCRIPTION	ROUND TUBE