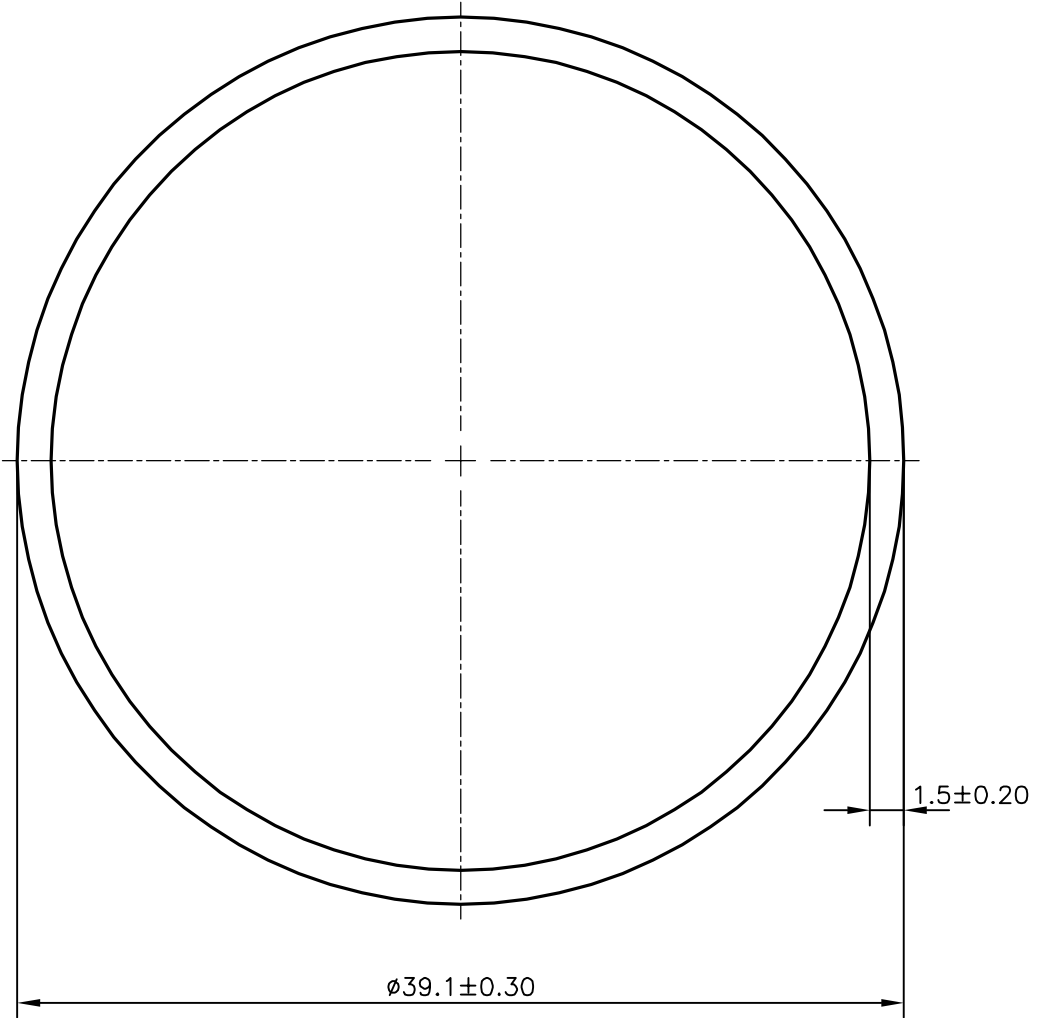
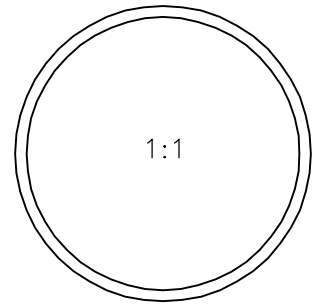


P-14966-1

S4570

13646



SYMBOL OF QUALITY  
AN ISO 9001 COMPANY

**JINDAL ALUMINIUM LTD.**  
BANGALORE-560073 (INDIA)

	NAME	DATE
DRAWN	J.P.KAUSHIK	03-08-2015
CHECKED		
APPROVED	S.S.GARG	13-08-2015
SCALE		3:1
AREA mm <sup>2</sup>		177.186
PERIMETER mm.		122.836
WEIGHT kg/m		0.478
DRAWING No.	SECTION No.	
P-14966-1	-	
S4570	S4570	
13646	13646	

1. ALL DIMENSIONS ARE IN mm.
2. ROUND OFF ALL SHARP CORNERS WITH 0.40 mm.
3. TOLERANCES WILL BE AS PER BS:EN-755-9 , UNLESS OTHERWISE SPECIFIED

PARTY'S NAME	J PAN TUBULAR COMPONENTS PVT. LTD., G.B. NAGAR
PARTY'S DRAWING No.	AS PER SPECIFICATION
ALLOY & TEMPER	6060 T4
DESCRIPTION	ROUND TUBE