

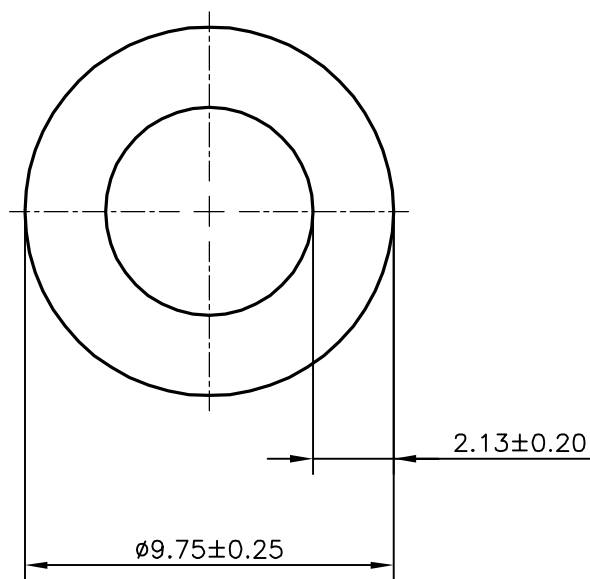
P-14967-1

S4571

13647



1:1



SYMBOL OF QUALITY
AN ISO 9001 COMPANY

JINDAL ALUMINIUM LTD.
BANGALORE-560073 (INDIA)

	NAME	DATE
DRAWN	J.P.KAUSHIK	03-08-2015
CHECKED		
APPROVED	S.S.GARG	13-08-2015
SCALE		5:1
AREA mm ²		50.99
PERIMETER mm.		30.631
WEIGHT kg/m		0.138
DRAWING No.		SECTION No.
P-14967-1		-
S4571		S4571
13647		13647

1. ALL DIMENSIONS ARE IN mm.
2. ROUND OFF ALL SHARP CORNERS WITH 0.40 mm.
3. TOLERANCES WILL BE AS PER BS:EN-755-9 , UNLESS OTHERWISE SPECIFIED

PARTY'S NAME	J PAN TUBULAR COMPONENTS PVT. LTD., G.B. NAGAR
PARTY'S DRAWING No.	AS PER SPECIFICATION
ALLOY & TEMPER	6060 T4
DESCRIPTION	ROUND TUBE