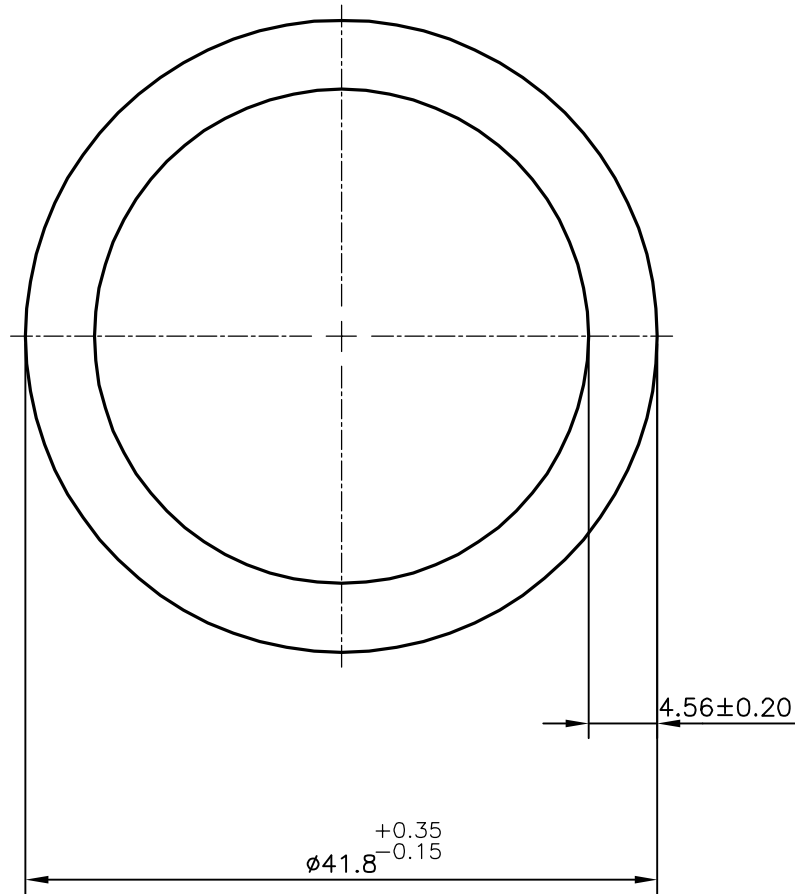
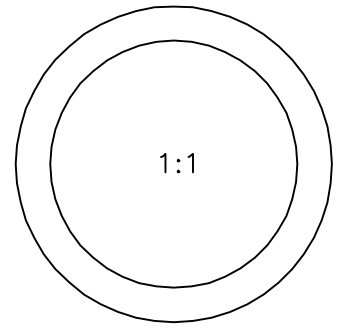


P-15634

13649



SYMBOL OF QUALITY
AN ISO 9001 COMPANY

JINDAL ALUMINIUM LTD.
BANGALORE-560073 (INDIA)

	NAME	DATE
DRAWN	J.P.KAUSHIK	29-02-2016
CHECKED		
APPROVED	S.S.GARG	02-03-2016
SCALE		2:1
AREA mm ²		533.488
PERIMETER mm.		131.319
WEIGHT kg/m		1.440
DRAWING No.	SECTION No.	
P-15634	-	
13649	13649	

1. ALL DIMENSIONS ARE IN mm.
2. ROUND OFF ALL SHARP CORNERS WITH 0.40 mm.
3. TOLERANCES WILL BE AS PER IS:2673-2002 UNLESS OTHERWISE SPECIFIED

PARTY'S NAME	BGR ENERGY SYSTEMS LTD., CHENNAI
PARTY'S DRAWING No.	AS PER SPECIFICATION
ALLOY & TEMPER	1050 F/1060F
DESCRIPTION	ROUND TUBE