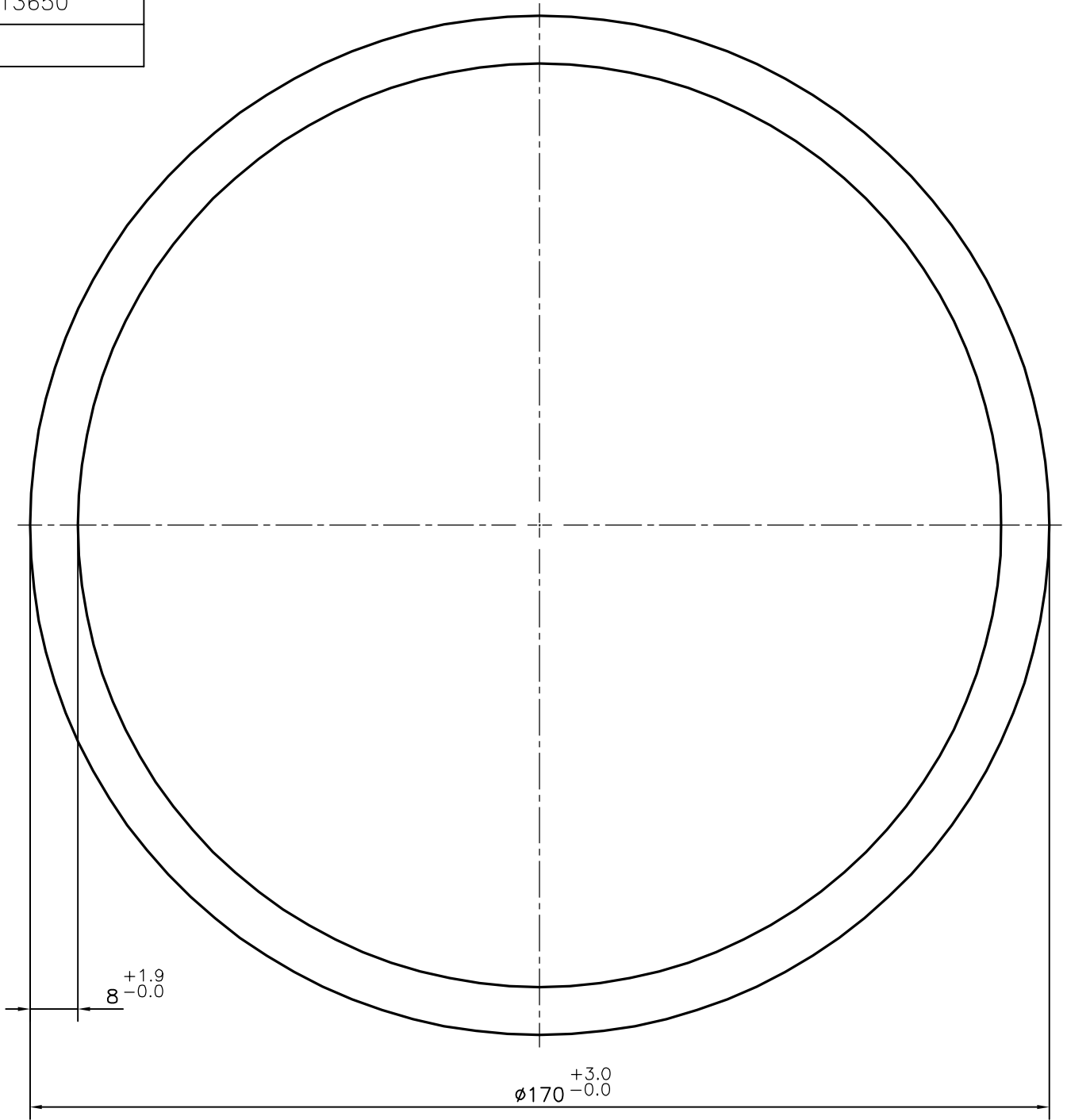


P-15433

13650



SYMBOL OF QUALITY  
AN ISO 9001 COMPANY

**JINDAL ALUMINIUM LTD.**  
BANGALORE-560073 (INDIA)

	NAME	DATE
DRAWN	PARVESH	14-12-2015
CHECKED		
APPROVED	S.S.GARG	03-03-2016
SCALE		1:1
AREA mm <sup>2</sup>		4071.504
PERIMETER mm.		534.071
WEIGHT kg/m		10.993
DRAWING No.	SECTION No.	
P-15433	-	
13650	13650	

1. ALL DIMENSIONS ARE IN mm.
2. ROUND OFF ALL SHARP CORNERS WITH 0.40 mm.
3. TOLERANCES WILL BE AS PER IS:2673-2002 , UNLESS OTHERWISE SPECIFIED

PARTY'S NAME	ALSTOM GRID , KOLKATA
PARTY'S DRAWING No.	AS PER SPECIFICATION- 6" IPS TUBE
ALLOY & TEMPER	63401 WP
DESCRIPTION	ROUND TUBE