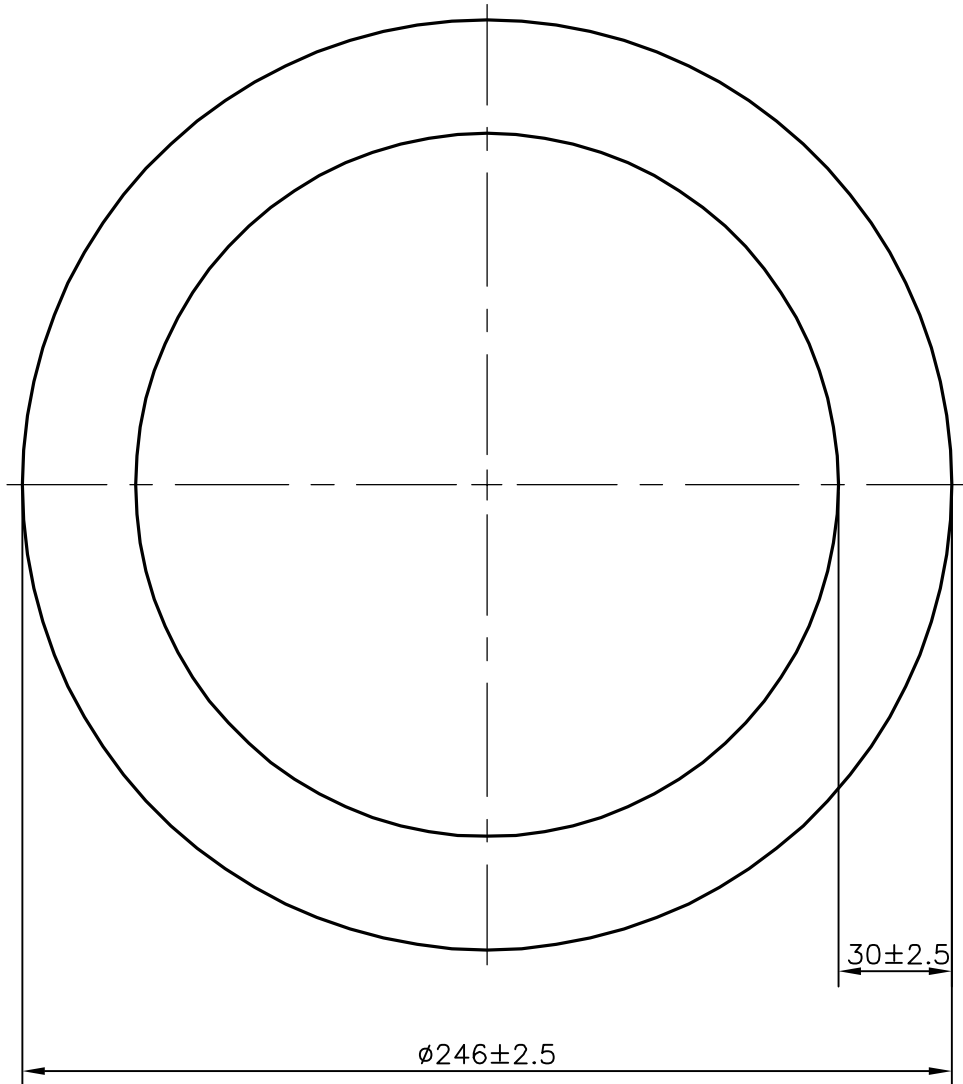


P-13200-1

S3935

13651



PLEASE NOTE :

1. OVALITY :  $\pm 3.00$  mm

SYMBOL OF QUALITY  
AN ISO 9001 COMPANY

**JINDAL ALUMINIUM LTD.**  
**BANGALORE-560073 (INDIA)**

	NAME	DATE
DRAWN	SRIVATHSA	28-11-2013
CHECKED		
APPROVED	S.S.GARG	30-11-2013
SCALE		0.5:1
AREA mm <sup>2</sup>		20357.52
PERIMETER mm.		772.832
WEIGHT kg/m		54.965
DRAWING No.	SECTION No.	
P-13200-1	-	
S3935	S3935	
13651	13651	

1. ALL DIMENSIONS ARE IN mm.
2. ROUND OFF ALL SHARP CORNERS WITH 0.40 mm.
3. TOLERANCES WILL BE AS PER IS:2673-2002, UNLESS OTHERWISE SPECIFIED

PARTY'S NAME	COSMOS ENGITECH PVT. LTD., BARODA
PARTY'S DRAWING No.	AS PER REQUIREMENT
ALLOY & TEMPER	6082 T6
DESCRIPTION	ROUND TUBE