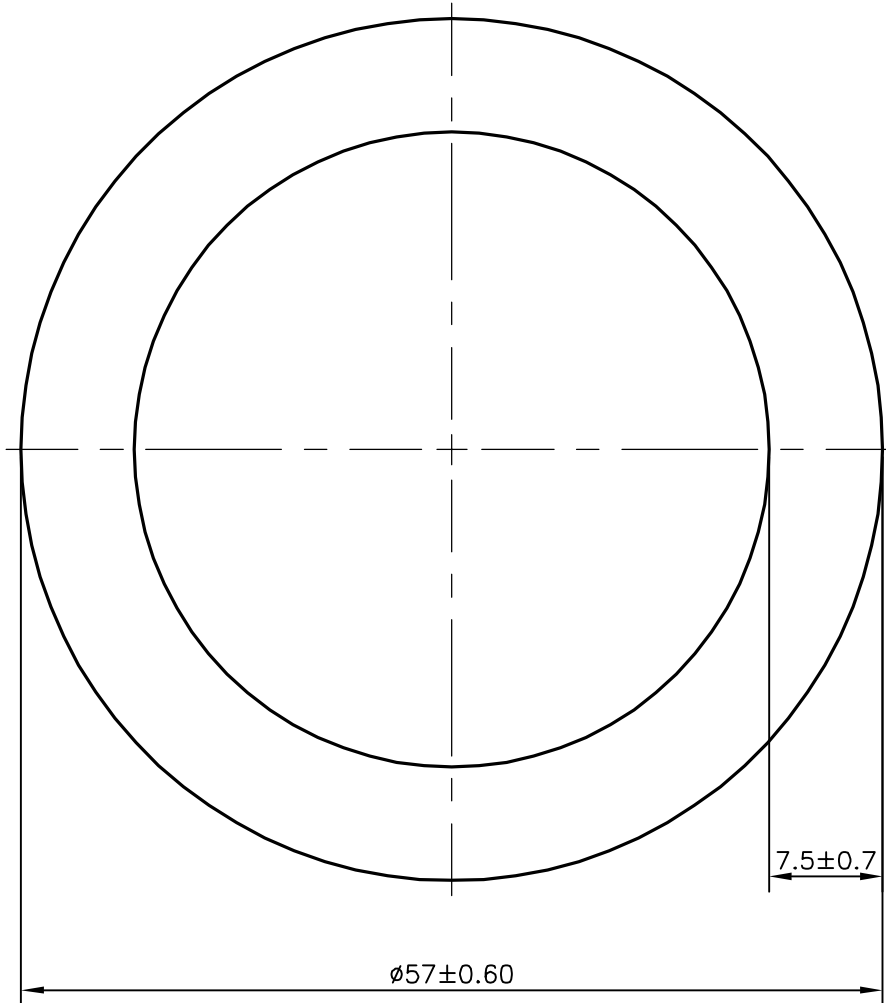
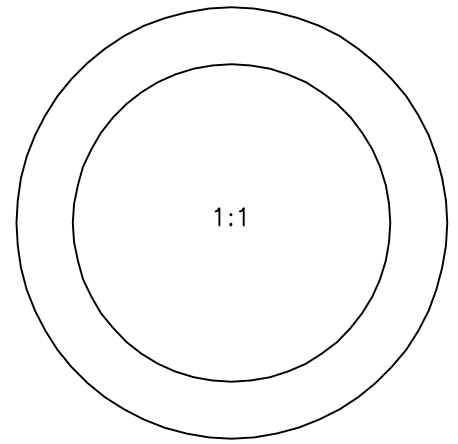


P-13184

S3981

13652



SYMBOL OF QUALITY
AN ISO 9001 COMPANY

JINDAL ALUMINIUM LTD.
BANGALORE-560073 (INDIA)

| | NAME | DATE |
|----------------------|-------------|------------|
| DRAWN | SRIVATHSA | 14-11-2013 |
| CHECKED | | |
| APPROVED | S.S.GARG | 09-01-2014 |
| SCALE | | 2:1 |
| AREA mm ² | | 1166.316 |
| PERIMETER mm. | | 179.071 |
| WEIGHT kg/m | | 3.149 |
| DRAWING No. | SECTION No. | |
| P-13184 | - | |
| S3981 | S3981 | |
| 13652 | 13652 | |
| | | |
| | | |

1. ALL DIMENSIONS ARE IN mm.
2. ROUND OFF ALL SHARP CORNERS WITH 0.40 mm.
3. TOLERANCES WILL BE AS PER IS:2673-2002 , UNLESS OTHERWISE SPECIFIED

| | |
|---------------------|--------------------------------------|
| PARTY'S NAME | AB CARTER INDIA PVT. LTD., BANGALORE |
| PARTY'S DRAWING No. | AS PER SPECIFICATION |
| ALLOY & TEMPER | HE9 WP |
| DESCRIPTION | ROUND TUBE |