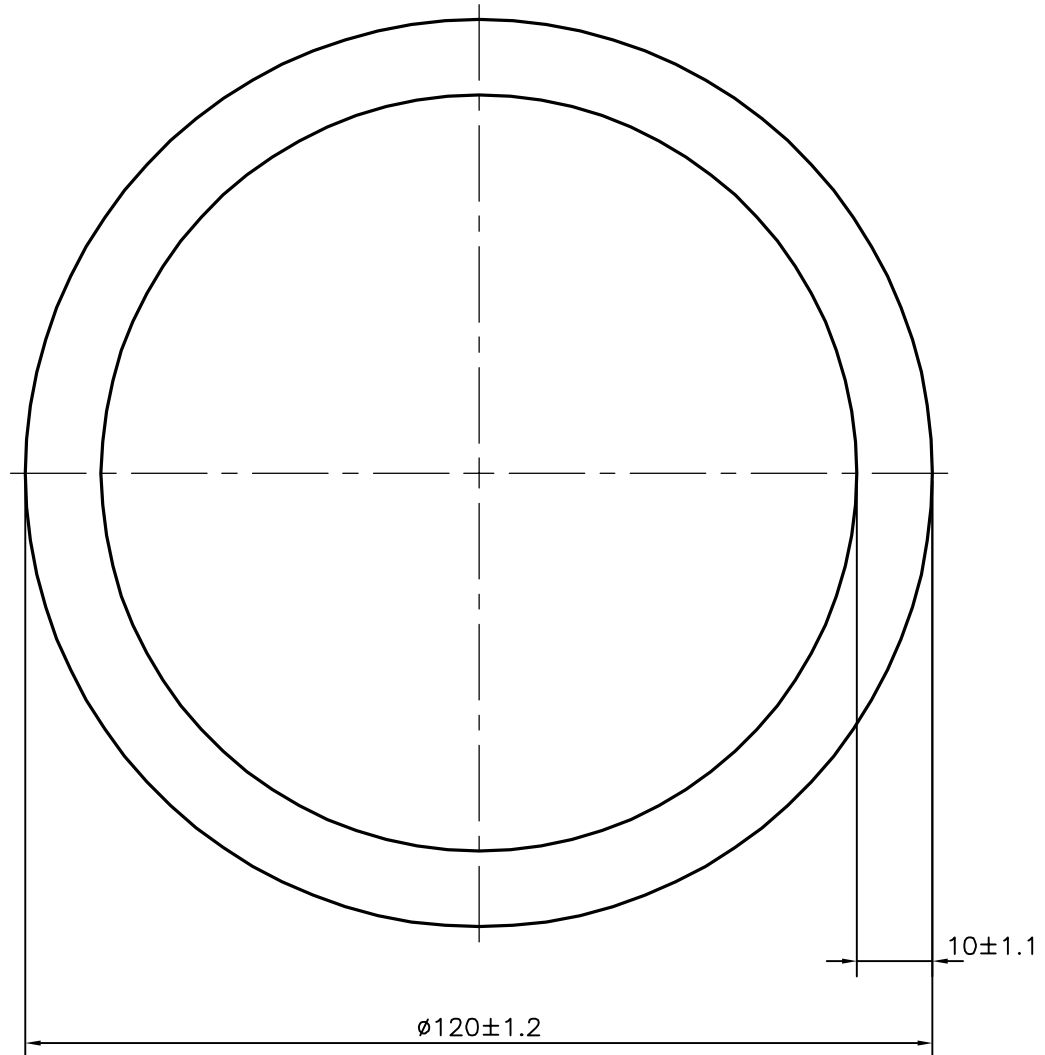


P-13344

S4018

13657



SYMBOL OF QUALITY
AN ISO 9001 COMPANY

JINDAL ALUMINIUM LTD.
BANGALORE-560073 (INDIA)

	NAME	DATE
DRAWN	SRIYATHSA	16-01-2014
CHECKED		
APPROVED	S.S.GARG	05-02-2014
SCALE		1:1
AREA mm ²		3455.752
PERIMETER mm.		376.991
WEIGHT kg/m		9.331
DRAWING No.		SECTION No.
P-13344		-
S4018		S4018
13657		13657

1. ALL DIMENSIONS ARE IN mm.
2. ROUND OFF ALL SHARP CORNERS WITH 0.40 mm.
3. TOLERANCES WILL BE AS PER IS:2673-2002 , UNLESS OTHERWISE SPECIFIED

PARTY'S NAME	RASU TOOLS LTD., PATANCHERU
PARTY'S DRAWING No.	AS PER SPECIFICATION
ALLOY & TEMPER	HE30 WP
DESCRIPTION	ROUND TUBE