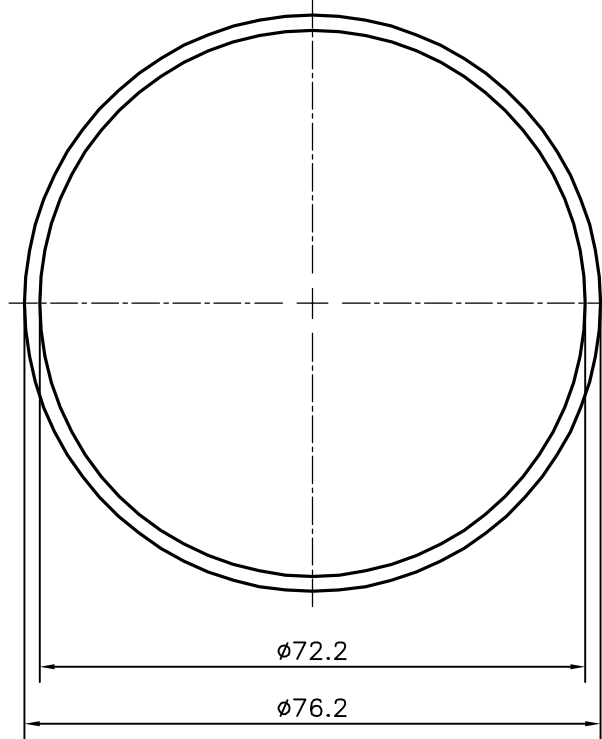


P-13487

S4072

13658



☞ OVALITY :- ± 1.1 mm.



SYMBOL OF QUALITY
AN ISO 9001 COMPANY

JINDAL ALUMINIUM LTD.
BANGALORE-560073 (INDIA)

	NAME	DATE
DRAWN	PARVESH	22-03-2014
CHECKED		
APPROVED	S.S.GARG	10-04-2014
SCALE		1:1
AREA mm ²		466.212
PERIMETER mm.		239.389
WEIGHT kg/m		1.259
DRAWING No.	SECTION No.	
P-13487	-	
S4072	S4072	
13658	13658	

1. ALL DIMENSIONS ARE IN mm.
2. ROUND OFF ALL SHARP CORNERS WITH 0.40 mm.
3. TOLERANCES WILL BE AS PER BS:EN-755-8 , UNLESS OTHERWISE SPECIFIED

PARTY'S NAME	LEGRIS INDIA LTD., GURGAON
PARTY'S DRAWING No.	AS PER SPECIFICATION
ALLOY & TEMPER	6060 T6
DESCRIPTION	ROUND TUBE