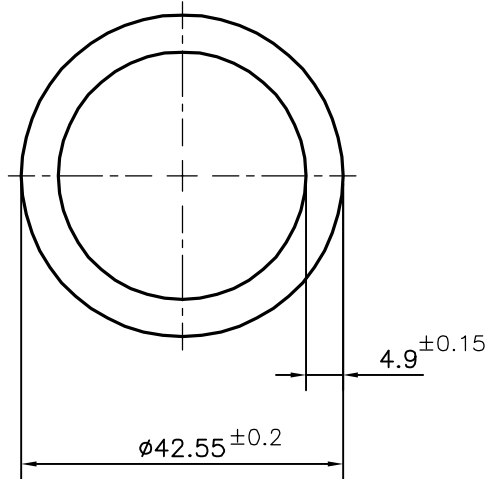



P-15572-2

S4887

13661



 SYMBOL OF QUALITY AN ISO 9001 COMPANY	JINDAL ALUMINIUM LTD. <i>BANGALORE-560073 (INDIA)</i>		NAME	DATE
		DRAWN	<i>PARVESH</i>	12-03-2016
1. ALL DIMENSIONS ARE IN mm. 2. ROUND OFF ALL SHARP CORNERS WITH 0.40 mm. 3. TOLERANCES WILL BE AS PER IS:2673-2002 , UNLESS OTHERWISE SPECIFIED		CHECKED		
		APPROVED	S.S. GARG	29-03-2016
PARTY'S NAME PATELS AIRTEMP (INDIA) LTD., GANDHI NAGAR		SCALE		1:1
		AREA mm ²		579.577
PARTY'S DRAWING No. AS PER SPECIFICATION		PERIMETER mm.		133.675
		WEIGHT kg/m		1.565
ALLOY & TEMPER 1060 F		DRAWING No.	SECTION No.	
		P-15572-2	-	
DESCRIPTION ROUND TUBE- MUFF TUBE		S4887	S4887	
		13661	13661	