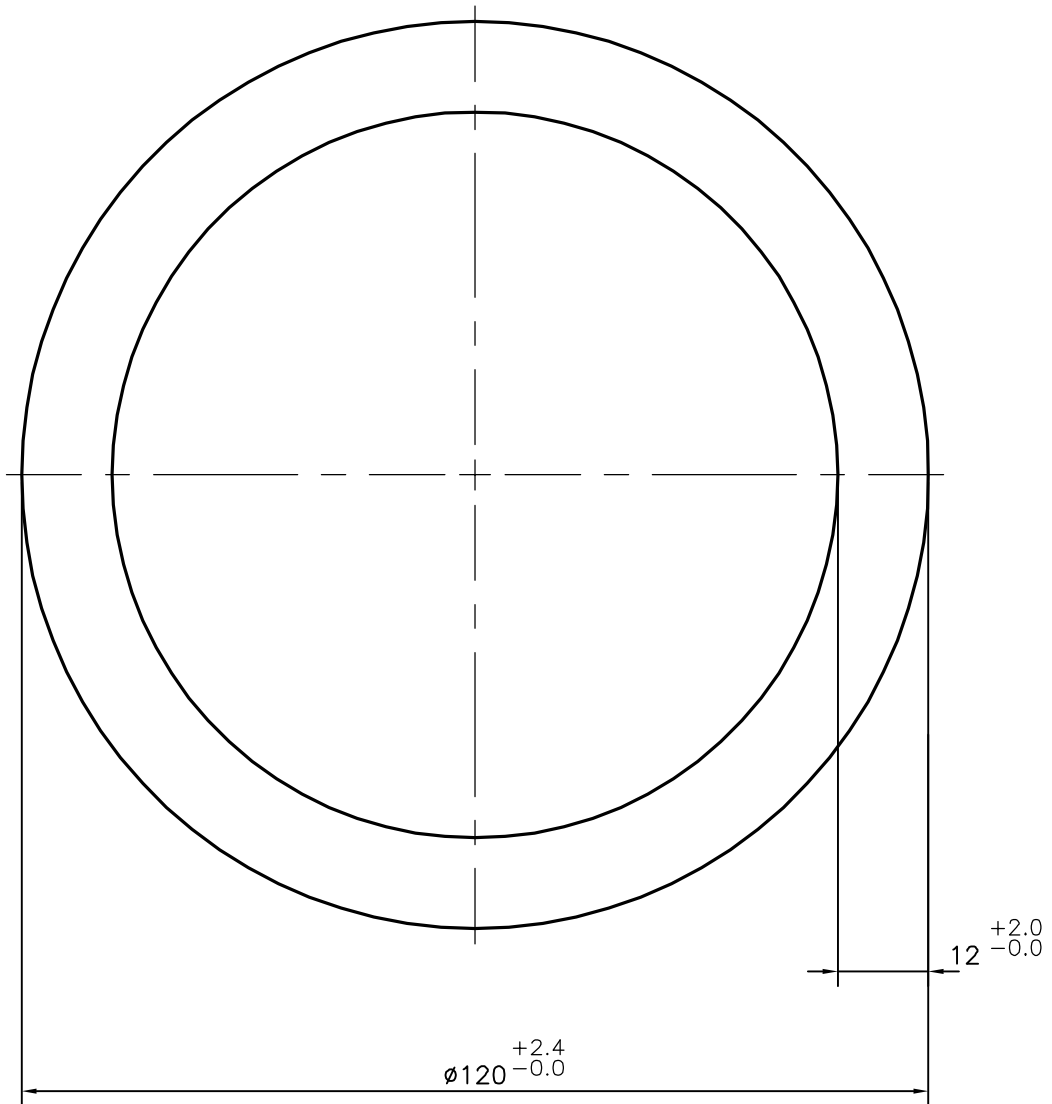



P-12117-1

S3681

13662



 SYMBOL OF QUALITY AN ISO 9001 COMPANY	JINDAL ALUMINIUM LTD. BANGALORE-560073 (INDIA)		NAME	DATE
		DRAWN	PARVESH	12-10-2012
1. ALL DIMENSIONS ARE IN mm. 2. ROUND OFF ALL SHARP CORNERS WITH 0.40 mm. 3. TOLERANCES WILL BE AS PER IS:2673-2002, UNLESS OTHERWISE SPECIFIED		CHECKED		
		APPROVED	S.S.GARG	02-03-2013
PARTY'S NAME TECHNO ELECTRIC, KOLKATA		SCALE		1:1
		AREA mm ²		4071.504
PARTY'S DRAWING No. AS PER SPECIFICATION		PERIMETER mm.		376.991
		WEIGHT kg/m		10.993
ALLOY & TEMPER 63401 WP		DRAWING No.	SECTION No.	
		P-12117-1	-	
DESCRIPTION ROUND TUBE		S3681	S3681	
		13662	13662	