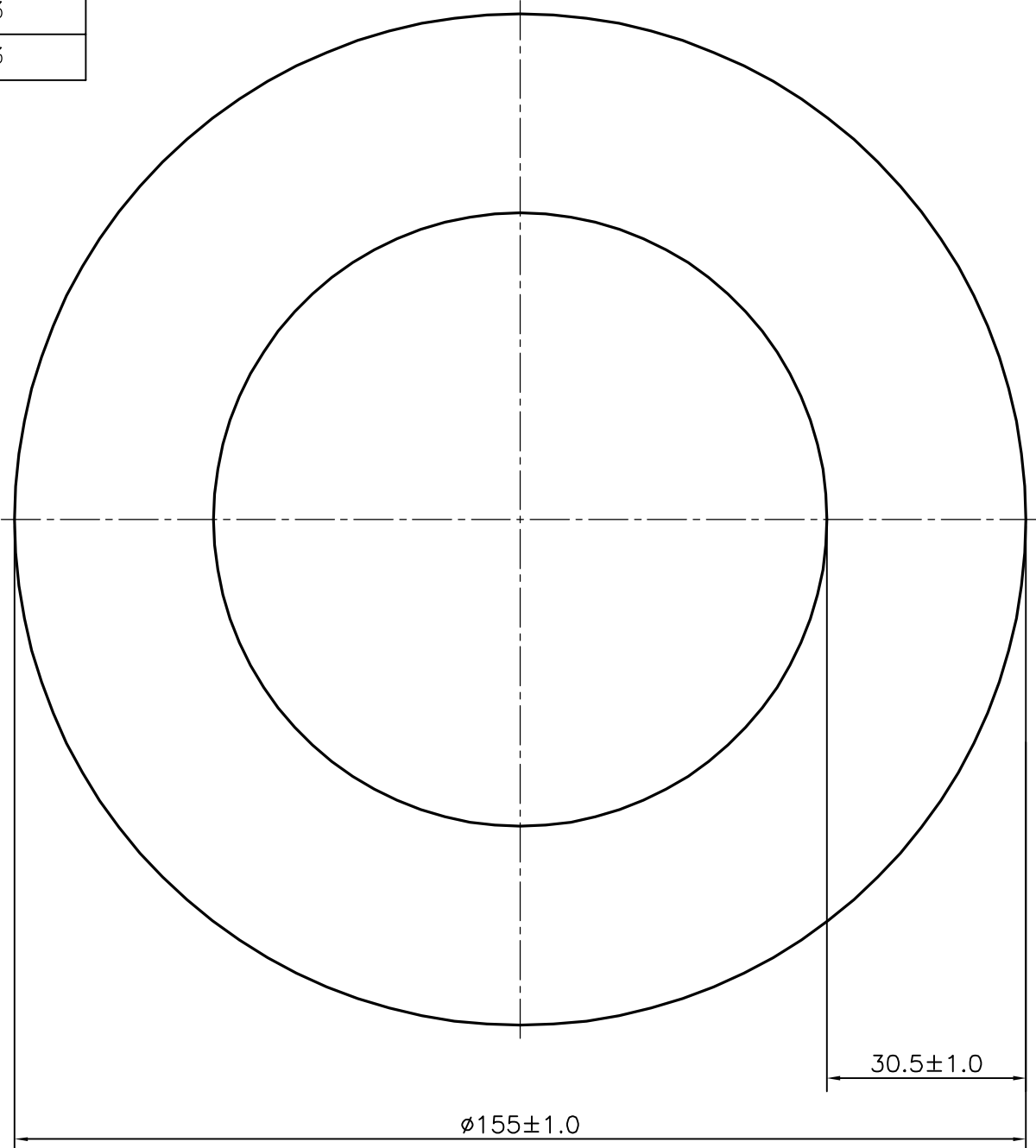


P-13437-1

S4053

13663



OVALITY:- ± 2.0 mm.



SYMBOL OF QUALITY
AN ISO 9001 COMPANY

JINDAL ALUMINIUM LTD.
BANGALORE-560073 (INDIA)

	NAME	DATE
DRAWN	PARVESH	05-03-2014
CHECKED		
APPROVED	J.N. RAI	07-03-2014
SCALE		1:1
AREA mm ²		11929.413
PERIMETER mm.		486.947
WEIGHT kg/m		32.209
DRAWING No.	SECTION No.	
P-13437-1	-	
S4053	S4053	
13663	13663	

1. ALL DIMENSIONS ARE IN mm.
2. ROUND OFF ALL SHARP CORNERS WITH 0.40 mm.
3. TOLERANCES WILL BE AS PER IS:2673-2002 , UNLESS OTHERWISE SPECIFIED

PARTY'S NAME	KUMAR EXPORTS, LUDHIANA
PARTY'S DRAWING No.	AS PER SPECIFICATION
ALLOY & TEMPER	6061 T6
DESCRIPTION	ROUND TUBE