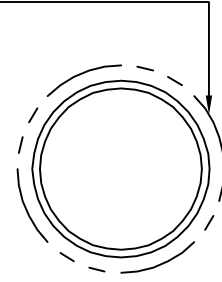
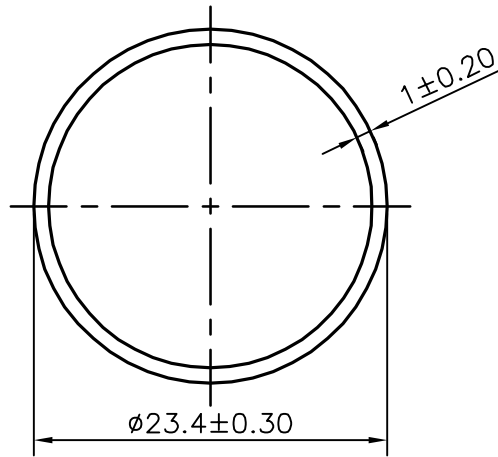



P-16155-1
13665
-

EXPOSED SURFACE



SCALE 1:1



 SYMBOL OF QUALITY AN ISO 9001 COMPANY	JINDAL ALUMINIUM LTD. BANGALORE-560073 (INDIA)		NAME	DATE
		DRAWN	KIRAN	04-08-2016
1. ALL DIMENSIONS ARE IN mm. 2. ROUND OFF ALL SHARP CORNERS WITH 0.40 mm. 3. TOLERANCES WILL BE AS PER IS:2673-2002, UNLESS OTHERWISE SPECIFIED		CHECKED		
		APPROVED	S.S. GARG	10-08-2016
PARTY'S NAME GENERAL CATEGORY, CHENNAI MARKET		SCALE		2:1
		AREA mm ²		70.372
PARTY'S DRAWING No. AS PER SPECIFICATION		PERIMETER mm.		73.513
		WEIGHT kg/m		0.190
ALLOY & TEMPER HE9 WP		DRAWING No.	SECTION No.	
		P-16155-1	-	
DESCRIPTION ROUND TUBE		13665	13665	
		-	-	