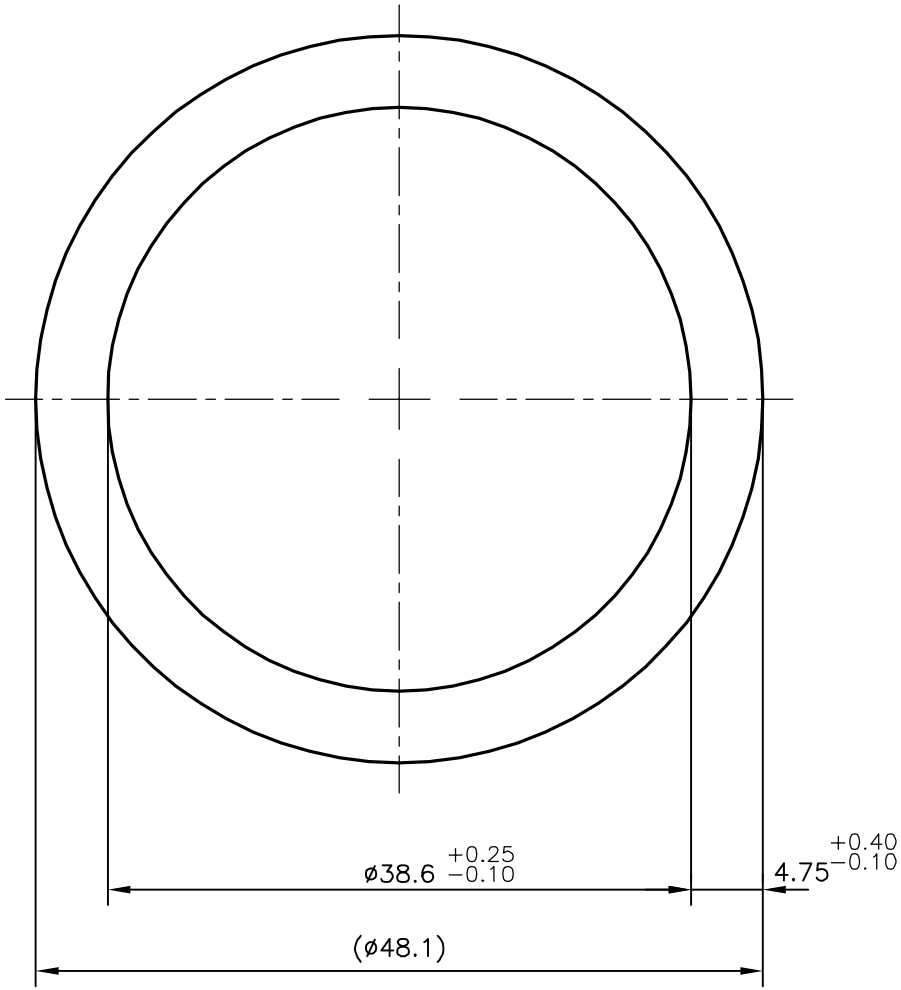
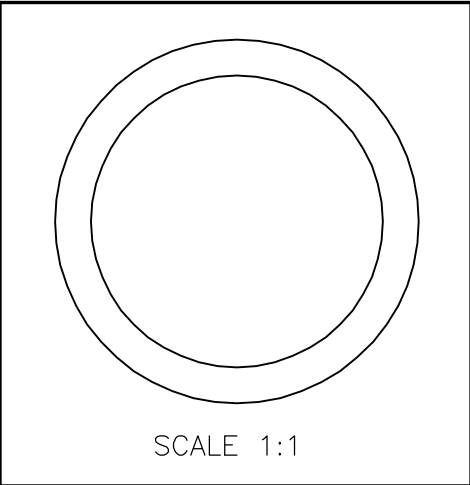


P-15870-1
S4957
13667



JINDAL ALUMINIUM LTD.
 BANGALORE-560073 (INDIA)

	NAME	DATE
DRAWN	J.P.KAUSHIK	24-05-2016
CHECKED		
APPROVED	S.S. GARG	01-06-2016
SCALE		2:1
AREA mm ²		646.893
PERIMETER mm.		151.111
WEIGHT kg/m		1.747
DRAWING No.	SECTION No.	
P-15870-1	-	
S4957	S4957	
13667	13667	

1. ALL DIMENSIONS ARE IN mm. 2. ROUND OFF ALL SHARP CORNERS WITH 0.40 mm. 3. TOLERANCES WILL BE AS PER,IS:2673-2002 UNLESS OTHERWISE SPECIFIED	
PARTY'S NAME	BGR ENERGY SYSTEMS PVT. LTD., THIRUVALLUR
PARTY'S DRAWING No.	MODIFIED OF 13512
ALLOY & TEMPER	1060 "F"
DESCRIPTION	ROUND TUBE