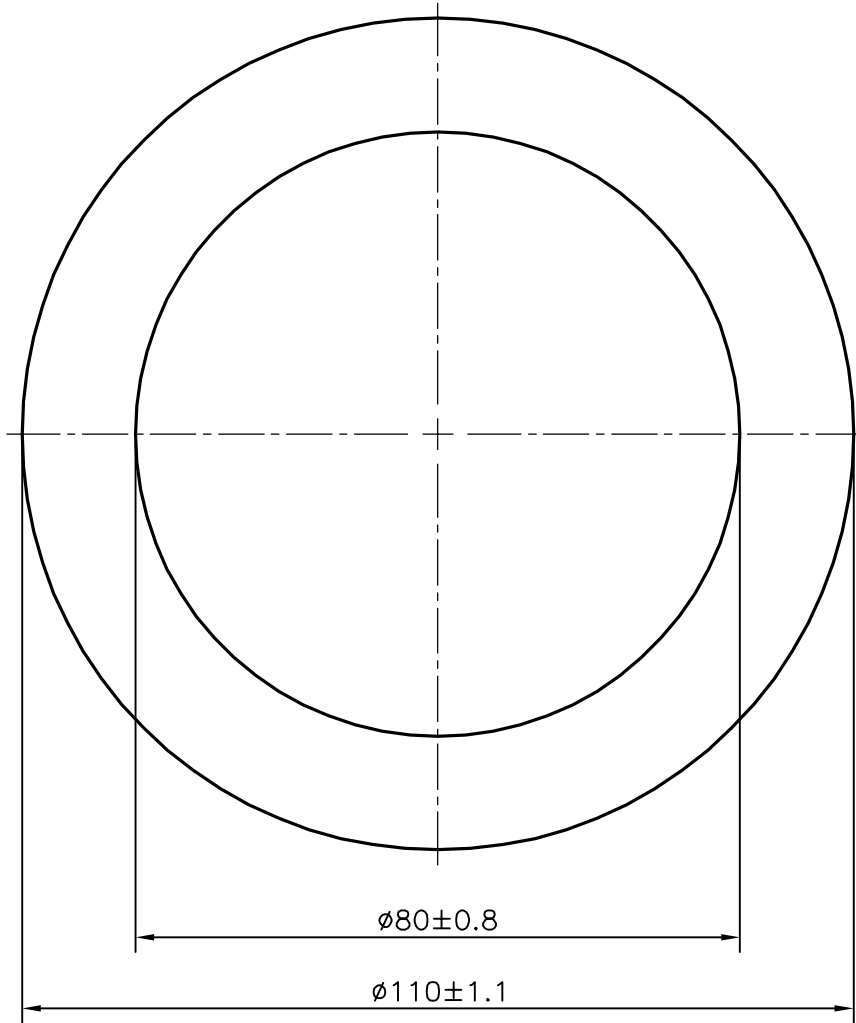


P-13659

S4152

13668



1. STRAIGHTNESS=1.7mm/M
2. OVALITY =  $\pm 1.5$  mm.



SYMBOL OF QUALITY  
AN ISO 9001 COMPANY

**JINDAL ALUMINIUM LTD.**  
BANGALORE-560073 (INDIA)

	NAME	DATE
DRAWN	PARVESH	20-06-2014
CHECKED		
APPROVED	S.S.GARG	24-06-2014
SCALE		1:1
AREA mm <sup>2</sup>		4476.77
PERIMETER mm.		345.575
WEIGHT kg/m		12.087
DRAWING No.	SECTION No.	
P-13659	-	
S4152	S4152	
13668	13668	

1. ALL DIMENSIONS ARE IN mm.
2. ROUND OFF ALL SHARP CORNERS WITH 0.40 mm.
3. TOLERANCES WILL BE AS PER IS:2673-2002 , UNLESS OTHERWISE SPECIFIED

PARTY'S NAME	NARMADA SWITCHGEAR PVT. LTD., BHOPAL
PARTY'S DRAWING No.	AS PER SPECIFICATION
ALLOY & TEMPER	6063 T6
DESCRIPTION	ROUND TUBE