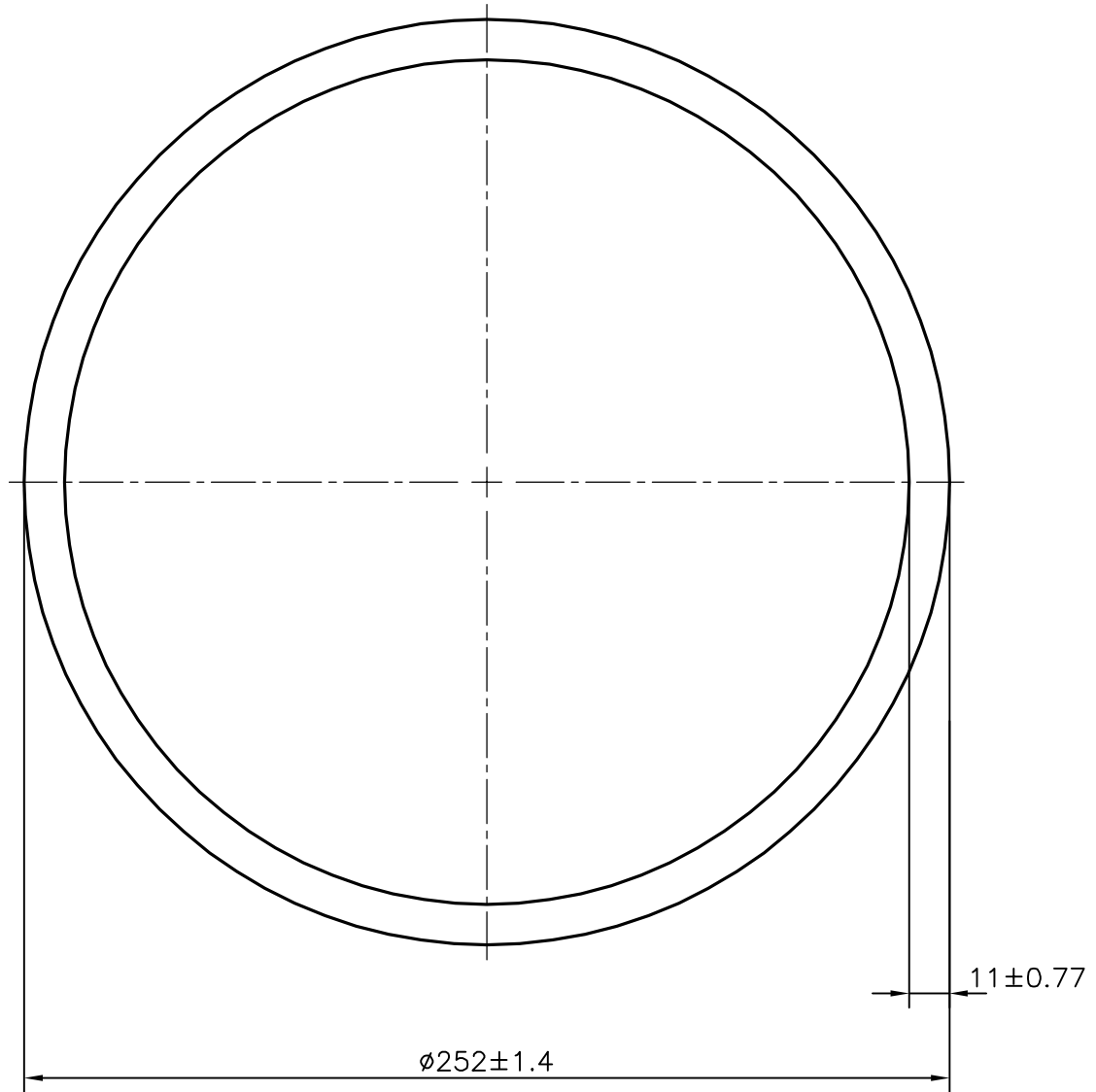


P-13683-1

S4163

13669



- 1. STRAIGHTNESS=1.5mm/M
- 2. OVALITY = ± 1.75 mm.



SYMBOL OF QUALITY
AN ISO 9001 COMPANY

JINDAL ALUMINIUM LTD.
BANGALORE-560073 (INDIA)

	NAME	DATE
DRAWN	PARVESH	30-06-2014
CHECKED		
APPROVED	J.N.RAI	04-07-2014
SCALE		0.5:1
AREA mm ²		8328.362
PERIMETER mm.		791.681
WEIGHT kg/m		22.487
DRAWING No.	SECTION No.	
P-13683-1	-	
S4163	S4163	
13669	13669	

- 1. ALL DIMENSIONS ARE IN mm.
- 2. ROUND OFF ALL SHARP CORNERS WITH 0.40 mm.
- 3. TOLERANCES WILL BE AS PER IS:2673-2002 , UNLESS OTHERWISE SPECIFIED

PARTY'S NAME	BASANT WIRE INDUSTRIES PVT, LTD., JAIPUR
PARTY'S DRAWING No.	AS PER SPECIFICATION
ALLOY & TEMPER	6061 T6
DESCRIPTION	ROUND TUBE