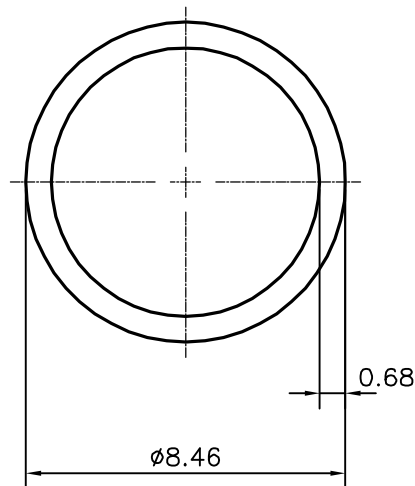


P-16402

13670



1:1



SYMBOL OF QUALITY  
AN ISO 9001 COMPANY

**JINDAL ALUMINIUM LTD.**  
*BANGALORE-560073 (INDIA)*

	NAME	DATE
DRAWN	J.P.KAUSHIK	29-09-2016
CHECKED		
APPROVED	B.NATARAJ	06-10-2016

1. ALL DIMENSIONS ARE IN mm.
2. ROUND OFF ALL SHARP CORNERS WITH 0.40 mm.
3. TOLERANCES WILL BE AS PER, IS:2673-2002 UNLESS OTHERWISE SPECIFIED

SCALE	5:1
AREA mm <sup>2</sup>	16.62
PERIMETER mm.	26.578
WEIGHT kg/m	0.045

PARTY'S NAME	GENERAL CATEGORY, DELHI MARKET
--------------	--------------------------------

DRAWING No.	SECTION No.
-------------	-------------

PARTY'S DRAWING No.	AS PER SPECIFICATION
---------------------	----------------------

P-16402	-
13670	13670

ALLOY & TEMPER	HE9 WP
----------------	--------

DESCRIPTION	ROUND TUBE
-------------	------------