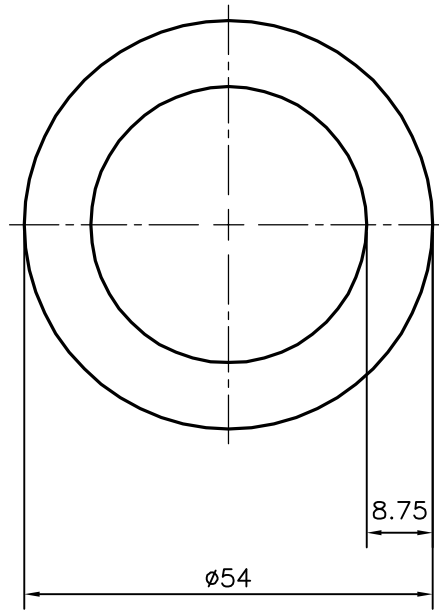


P-13942

S4223

13672



SYMBOL OF QUALITY  
AN ISO 9001 COMPANY

**JINDAL ALUMINIUM LTD.**  
**BANGALORE-560073 (INDIA)**

	NAME	DATE
DRAWN	J.P.KAUSHIK	01-09-2014
CHECKED		
APPROVED	S.S.GARG	04-09-2014
SCALE		1:1
AREA mm <sup>2</sup>		1243.874
PERIMETER mm.		169.646
WEIGHT kg/m		3.358
DRAWING No.	SECTION No.	
P-13942	-	
S4223	S4223	
13672	13672	

1. ALL DIMENSIONS ARE IN mm.
2. ROUND OFF ALL SHARP CORNERS WITH 0.40 mm.
3. TOLERANCES WILL BE AS PER IS:2673-2002 , UNLESS OTHERWISE SPECIFIED

PARTY'S NAME AB CARTER INDIA PVT.LTD., BANGALORE

PARTY'S DRAWING No. AS PER SPECIFICATION

ALLOY & TEMPER HE9 WP

DESCRIPTION ROUND TUBE