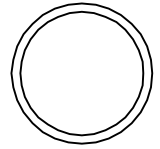


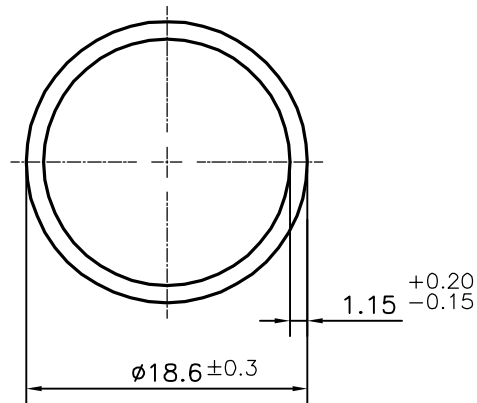
P-14003-2

S4255

13673



SCALE: - 1:1

1. OVALITY = ± 0.4 mm

SYMBOL OF QUALITY
AN ISO 9001 COMPANY

JINDAL ALUMINIUM LTD.
BANGALORE-560073 (INDIA)

	NAME	DATE
DRAWN	PARVESH	30-09-2014
CHECKED		
APPROVED	S.S.GARG	06-10-2014
SCALE		2:1
AREA mm ²		63.044
PERIMETER mm.		58.434
WEIGHT kg/m		0.170
DRAWING No.		SECTION No.
P-14003-2		-
S4255		S4255
13673		13673

1. ALL DIMENSIONS ARE IN mm.
2. ROUND OFF ALL SHARP CORNERS WITH 0.40 mm.
3. TOLERANCES WILL BE AS PER IS:2673-2002 , UNLESS OTHERWISE SPECIFIED

PARTY'S NAME	TYNOR ORTHOTICS PVT. LTD., MOHALI
PARTY'S DRAWING No.	AS PER SPECIFICATION
ALLOY & TEMPER	6063 T6
DESCRIPTION	ROUND TUBE