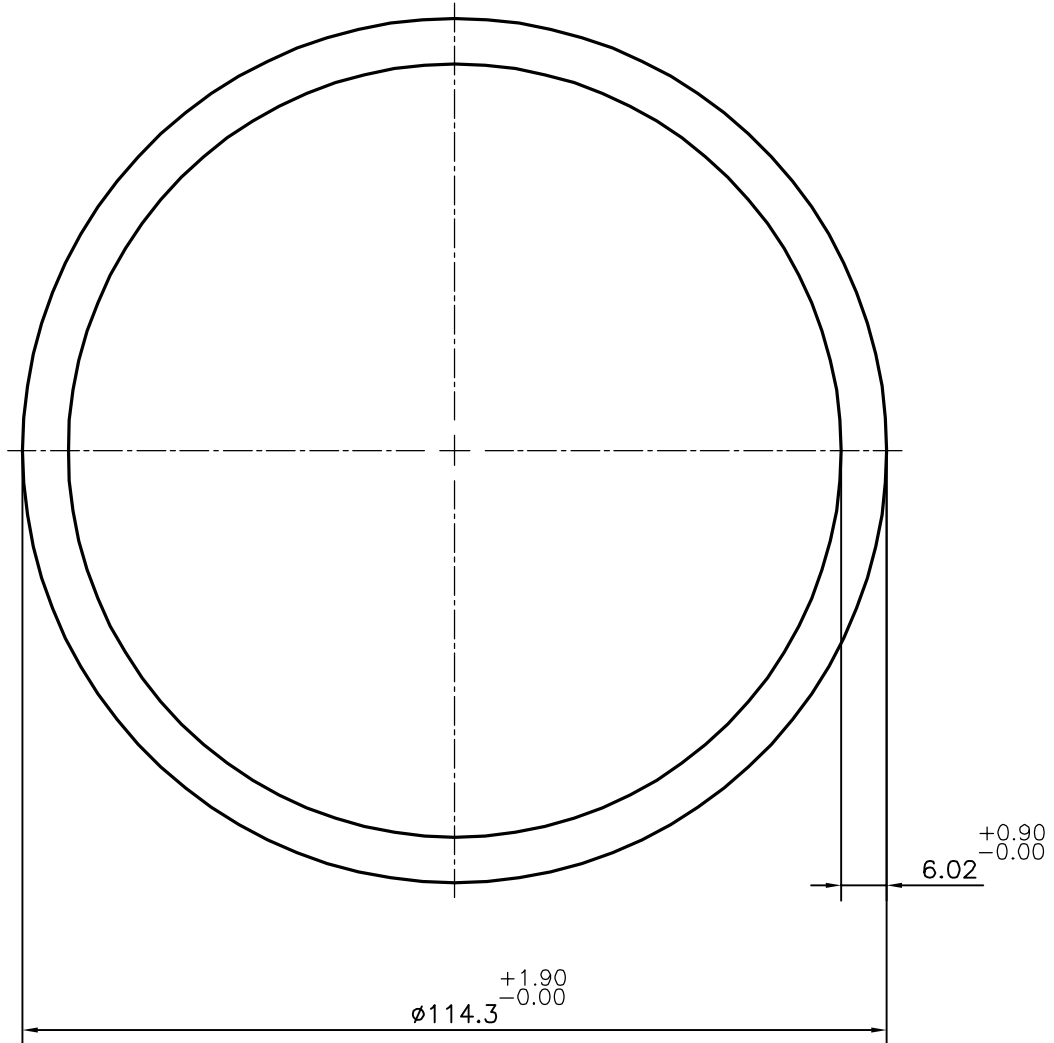


P-14478-1

S4541

13678



OVALITY TOLERANCE ± 2.85



SYMBOL OF QUALITY
AN ISO 9001 COMPANY

JINDAL ALUMINIUM LTD.
BANGALORE-560073 (INDIA)

	NAME	DATE
DRAWN	J.P.KAUSHIK	23-06-2015
CHECKED		
APPROVED	B.NATARAJA	22-07-2015
SCALE		1:1
AREA mm ²		2047.833
PERIMETER mm.		359.084
WEIGHT kg/m		5.529
DRAWING No.		SECTION No.
P-14478-1		-
S4541		S4541
13678		13678

1. ALL DIMENSIONS ARE IN mm.
2. ROUND OFF ALL SHARP CORNERS WITH 0.40 mm.
3. TOLERANCES WILL BE AS PER, IS:2673-2002 UNLESS OTHERWISE SPECIFIED

PARTY'S NAME	BGR ENERGY SYSTEMS LTD., CHENNAI
PARTY'S DRAWING No.	AS PER SPECIFICATION
ALLOY & TEMPER	63401 WP
DESCRIPTION	ROUND TUBE