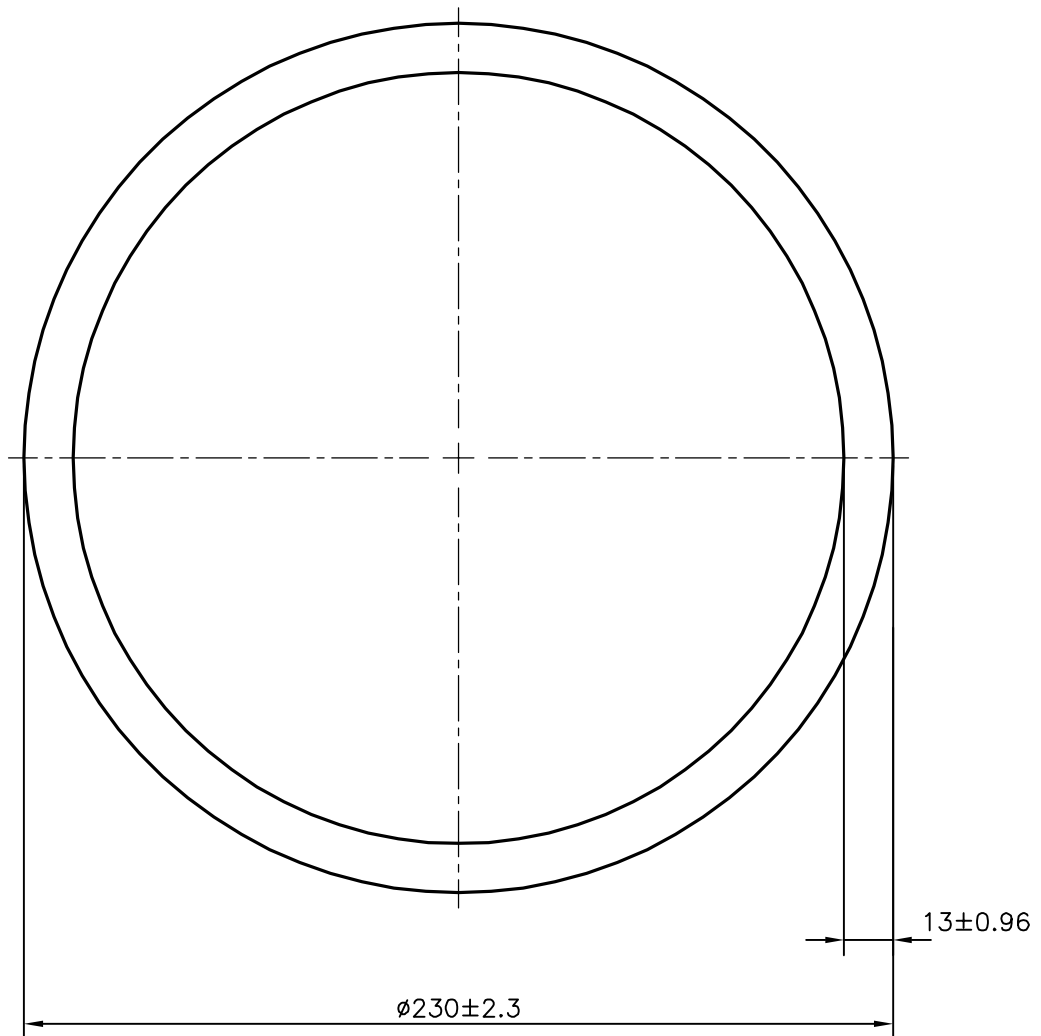


P-13575

S4336

13679



1. STRAIGHTNESS = 1.0 mm/M
2. OVALITY = ± 1.5 mm.



SYMBOL OF QUALITY
AN ISO 9001 COMPANY

JINDAL ALUMINIUM LTD.
BANGALORE-560073 (INDIA)

	NAME	DATE
DRAWN	PARVESH	07-05-2014
CHECKED		
APPROVED	S.S.GARG	31-12-2014
SCALE		0.5:1
AREA mm ²		8862.433
PERIMETER mm.		722.566
WEIGHT kg/m		23.929
DRAWING No.	SECTION No.	
P-13575	-	
S4336	S4336	
13679	13679	

1. ALL DIMENSIONS ARE IN mm.
2. ROUND OFF ALL SHARP CORNERS WITH 0.4 mm.
3. TOLERANCES WILL BE AS PER IS:2673-2002 , UNLESS OTHERWISE SPECIFIED

PARTY'S NAME	STEWART PINNED PRODUCTS PVT. LTD., BANGALORE
PARTY'S DRAWING No.	A20106
ALLOY & TEMPER	6060 T6
DESCRIPTION	ROUND TUBE