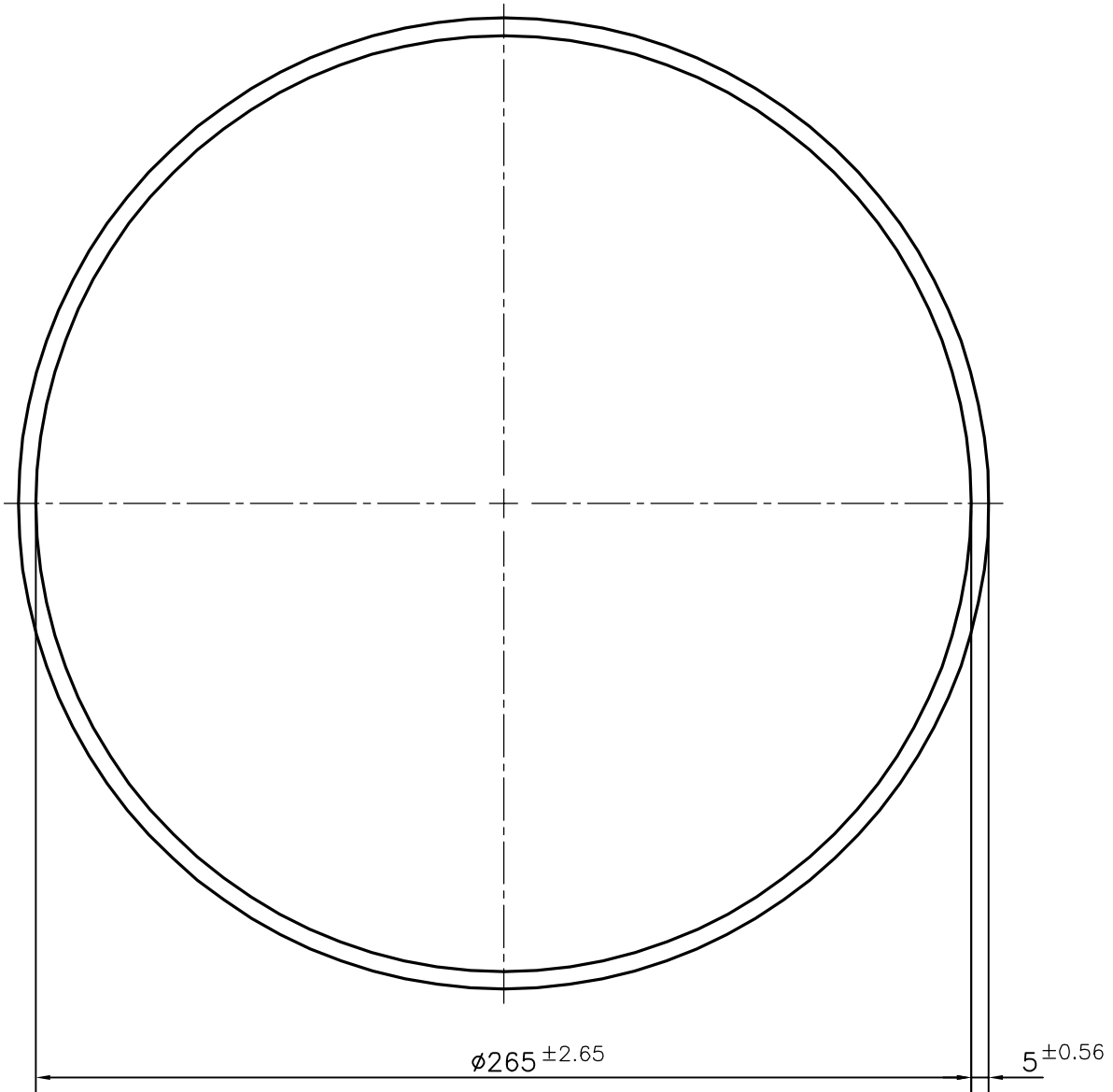



P-14421
S4403
13681



 SYMBOL OF QUALITY AN ISO 9001 COMPANY	<b>JINDAL ALUMINIUM LTD.</b> <i>BANGALORE-560073 (INDIA)</i>			NAME	DATE
		DRAWN	<i>PARVESH</i>	11-02-2015	
1. ALL DIMENSIONS ARE IN mm. 2. ROUND OFF ALL SHARP CORNERS WITH 0.40 mm. 3. TOLERANCES WILL BE AS PER IS:2673-2002 , UNLESS OTHERWISE SPECIFIED		CHECKED			
		APPROVED	S.S.GARG	28-02-2015	
PARTY'S NAME KADEVI INDUSTRIES LTD., HYDERABAD		SCALE		0.5:1	
		AREA mm <sup>2</sup>		4241.15	
PARTY'S DRAWING No. AS PER SPECIFICATION		PERIMETER mm.		863.938	
		WEIGHT kg/m		11.451	
ALLOY & TEMPER 6351 T6		DRAWING No.		SECTION No.	
		P-14421		-	
DESCRIPTION ROUND TUBE		S4403		S4403	
		13681		13681	