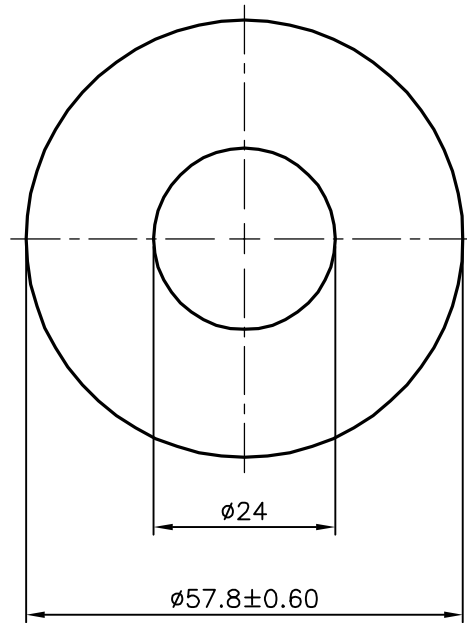


P-17049

13682



SYMBOL OF QUALITY  
AN ISO 9001 COMPANY

**JINDAL ALUMINIUM LTD.**  
*BANGALORE-560073 (INDIA)*

	NAME	DATE
DRAWN	J.P.KAUSHIK	03-05-2017
CHECKED		
APPROVED	<b>B.NATARAJA</b>	11-05-2017
SCALE		1:1
AREA mm <sup>2</sup>		2171.5
PERIMETER mm.		181.584
WEIGHT kg/m		5.863
DRAWING No.	SECTION No.	

1. ALL DIMENSIONS ARE IN mm.
2. ROUND OFF ALL SHARP CORNERS WITH 0.40 mm.
3. TOLERANCES WILL BE AS PER ANSI:H35.2-2009 UNLESS OTHERWISE SPECIFIED

PARTY'S NAME	NINGBO WE-CAN IMPORT-EXPORT CO. LTD., CHINA
PARTY'S DRAWING No.	PARTS No:-807603
ALLOY & TEMPER	6063 T6
DESCRIPTION	ROUND TUBE

P-17049	-
13682	13682