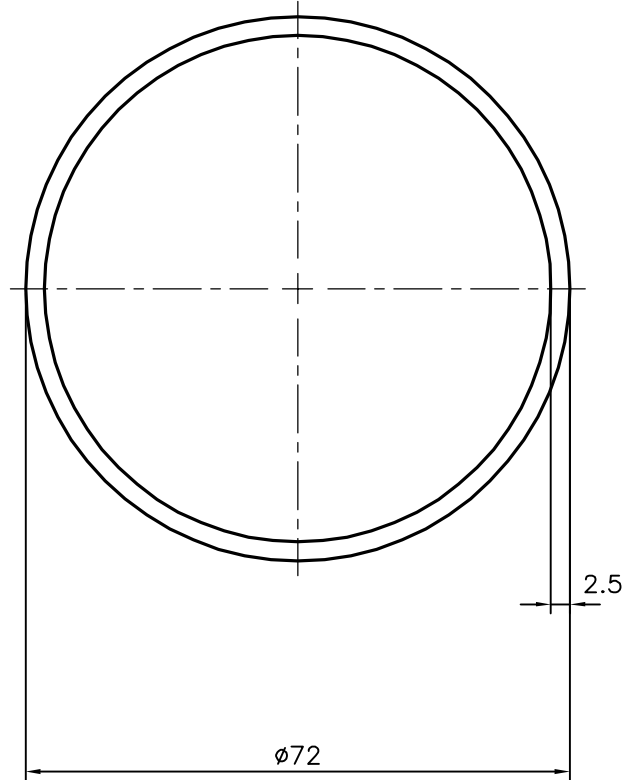


P-14639

X1877

13690



SYMBOL OF QUALITY  
AN ISO 9001 COMPANY

**JINDAL ALUMINIUM LTD.**  
BANGALORE-560073 (INDIA)

	NAME	DATE
DRAWN	J.P.KAUSHIK	12-05-2015
CHECKED		
APPROVED	S.S.GARG	14-05-2015

1. ALL DIMENSIONS ARE IN mm.
2. ROUND OFF ALL SHARP CORNERS WITH 0.4 mm.
3. TOLERANCES WILL BE AS PER IS:2673-2000 UNLESS OTHERWISE SPECIFIED

SCALE	1:1
AREA mm <sup>2</sup>	545.852
PERIMETER mm.	226.195
WEIGHT kg/m	1.474

PARTY'S NAME SRK LADDERS, PUTTUR

DRAWING No. SECTION No.

PARTY'S DRAWING No. AS PER SKETCH

P-14639 -

ALLOY & TEMPER HE9 WP

X1877 X1877

13690 13690

DESCRIPTION ROUND TUBE